

# V008 RC JET BOAT MANUAL

## 涡轮喷射艇使用说明书



**ATTENTION :** Please read all the warnings and instructions carefully before using this product.

**警告：** 使用本产品前，请仔细阅读所有提示和说明。

# CONTENTS 目录

Feature introduction / Packing list .....	1
产品特色介绍 / 包装详情	
Main structures of RC jet boat .....	2
涡轮喷射艇主要结构	
Sticker position / Installing the battery pack .....	3
贴纸位置 / 船体电池安装	
Battery charging instruction .....	3
电池充电说明	
Remote control battery installation .....	4
遥控器电池安装	
Note on charging .....	4
充电事项	
Charging warning .....	5
充电警告	
Preparation for use / Operation method .....	6
使用前准备 / 操作方式	
Remote control function description .....	7-8
遥控器功能说明	
Product maintenance .....	8
使用保养	
Steps of replacing the servo .....	9
更换舵机步骤	
Steps of replacing the servo .....	10
更换电机步骤	
Accessories package screw description .....	12
配件包螺丝说明	
Jet boat accessory list .....	13
涡轮船配件表	

## Feature Introduction 产品特色介绍

### ◆ Strong material 材质坚固

The boat is made of sturdy material, which is tough and hard, making it easier to clean.  
船体由坚固的材料制成，坚固且结实，易于清洁。

### ◆ Excellent waterproof performance 防水性能优秀

The streamlined boat design and the whole boat has been waterproofed, which can effectively prevent all kinds of seepage and water leakage.

流线型船体设计，整船做了防水处理，能有效防止各类渗透漏水现象。

### ◆ Flexible steering 转向灵活

Simple operation, strong stability, change the speed and direction easily.

操作简单、稳定性强、无极变速，前进、左右转弯灵活自如。

### ◆ Turbojet driving 涡轮喷射驱动

Using turbine water jet as the power to drive the boat forward, the power is stable and fast.

采用涡轮喷水做为动力驱动船前进，动力稳定速度快。

### ◆ Low battery warning 低电提醒

When the battery of the remote control is low, the red indicator light will flash continuously to indicate; when the boat is in low power, the remote control will makes a “Dee” “Dee” sound.

当遥控器低电量时，红色指示灯会连续闪烁提示;当船体低电量时，遥控器会发出“滴”“滴”声。

### ◆ One key reset 一键复位

When the boat is flipped, press the reset button in upper left corner until the boat is turned over, press the reset button again to close the reset.

当涡轮船侧翻过来时，按下左上角的复位按钮，直到船体翻转过来，再次按下复位按钮关闭复位。

## Packing List 包装详情

RC Jet boat\*1

涡轮船\*1

Remote control\*1

遥控器\*1

Battery \*1

电池\*1

USB charging cable\*1

USB充电线\*1

Manual\*1

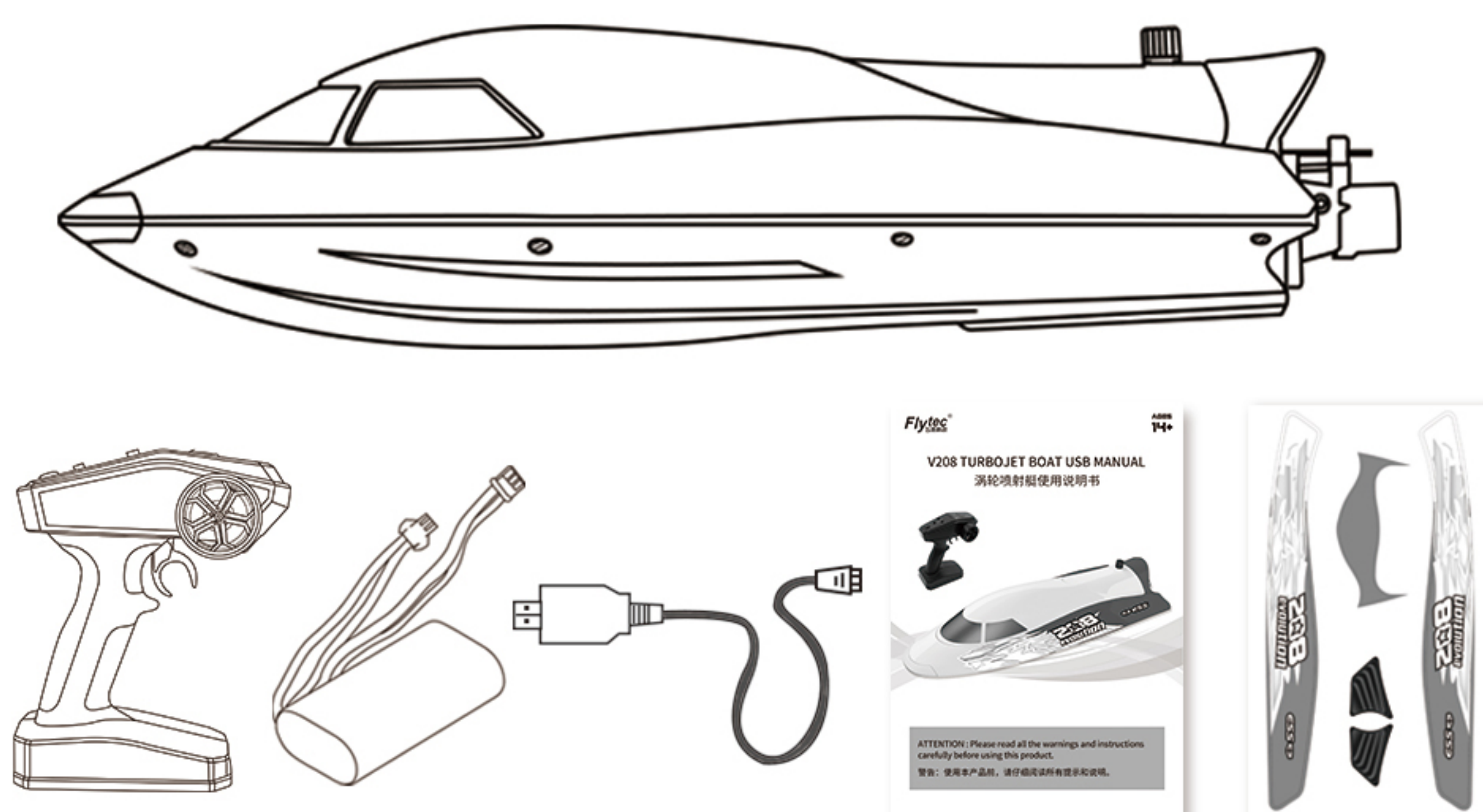
说明书\*1

Stickers\*2

贴纸\*2

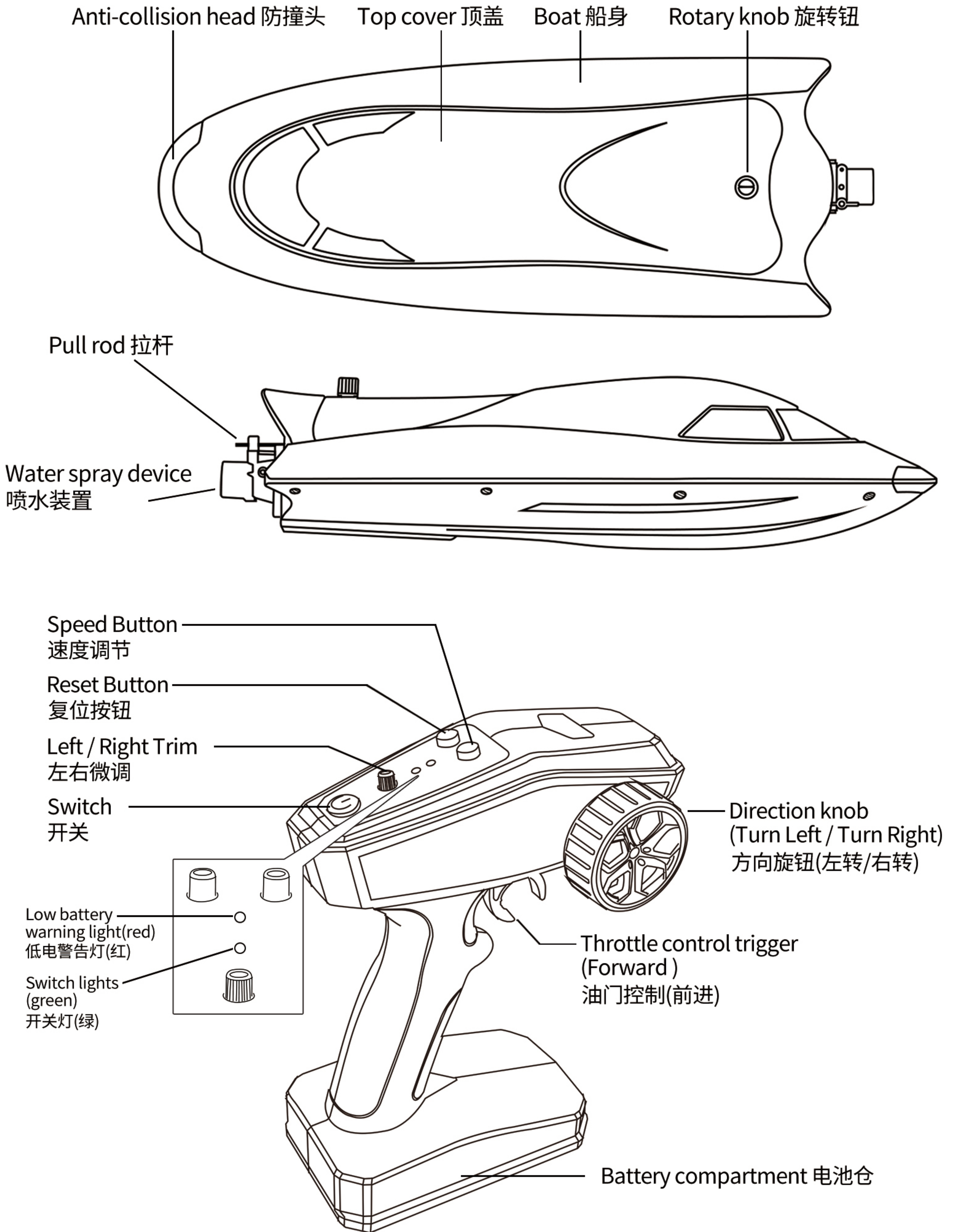
Accessories: Screw\*6, 1.5mm Allen wrench,

配件：螺丝\*6，1.5mm内六角扳手

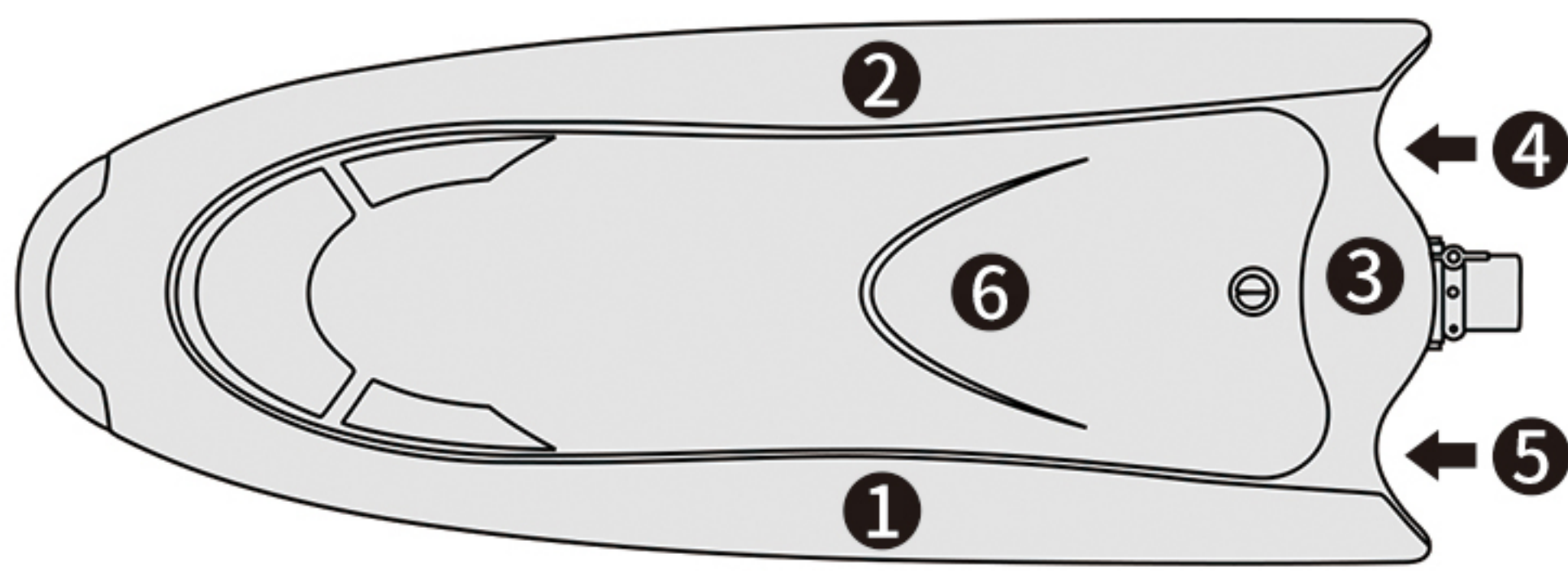


# Main Structures of Jet Boat

## 涡轮喷射艇主要结构

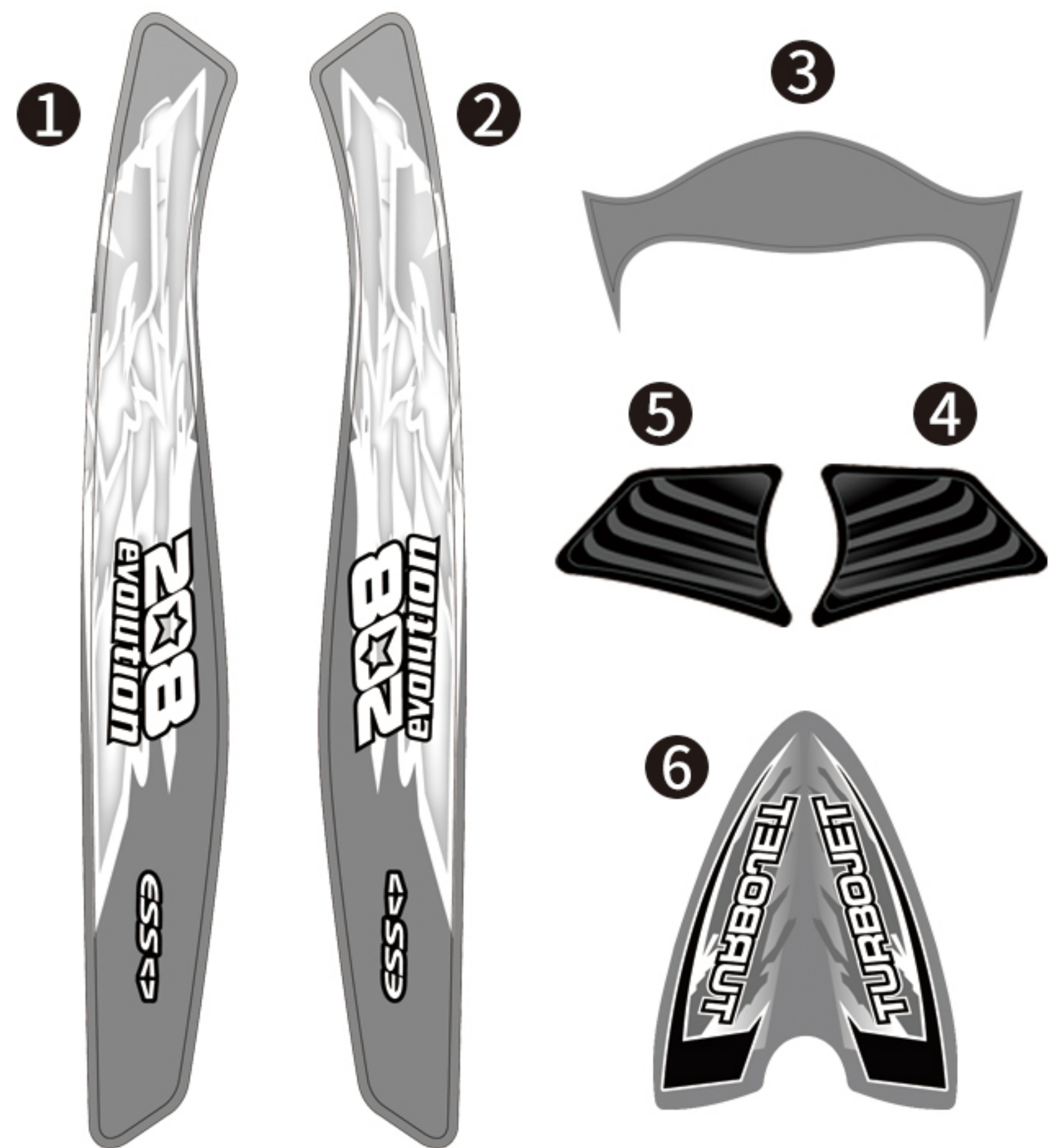


## Sticker Position 贴纸位置



**NOTICE:**When attaching the sticker on the boat, should pay attention to the sticker and the hull of the boat tightly, do not appear bubbles, otherwise it will affect the waterproofing of the sticker.

**注意:** 将贴纸贴在船壳时, 应当注意贴纸和船壳紧密贴合, 避免出现气泡影响到贴纸的防水性能。

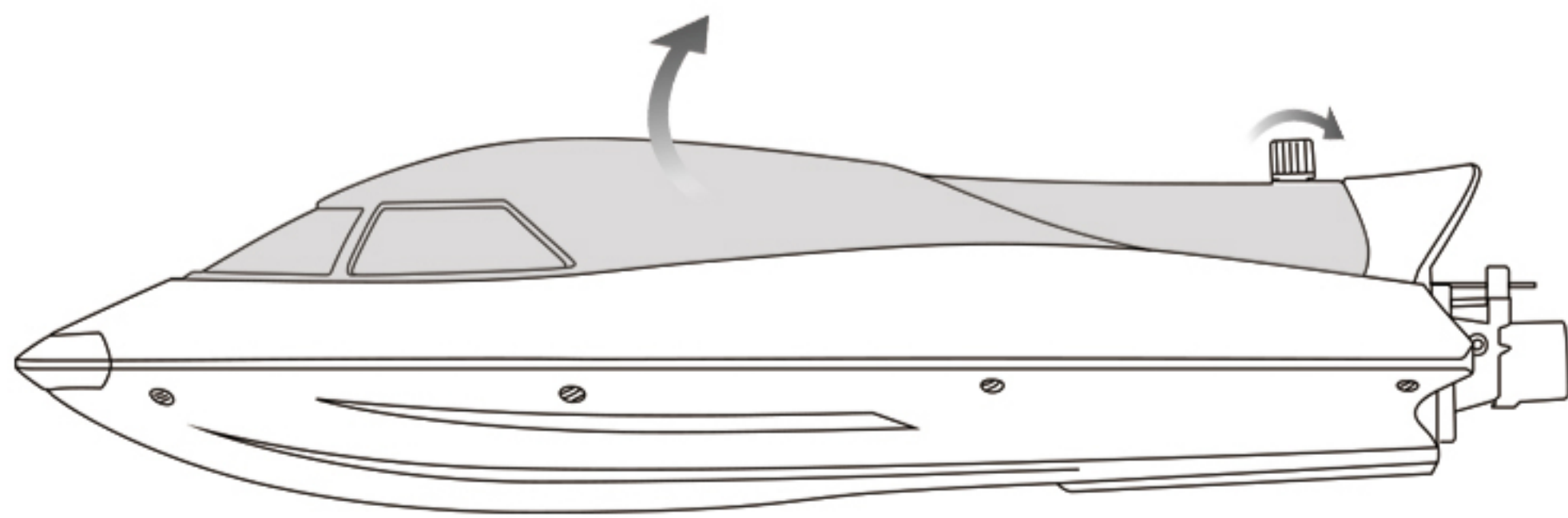


## Installing the battery pack

### 船体电池安装

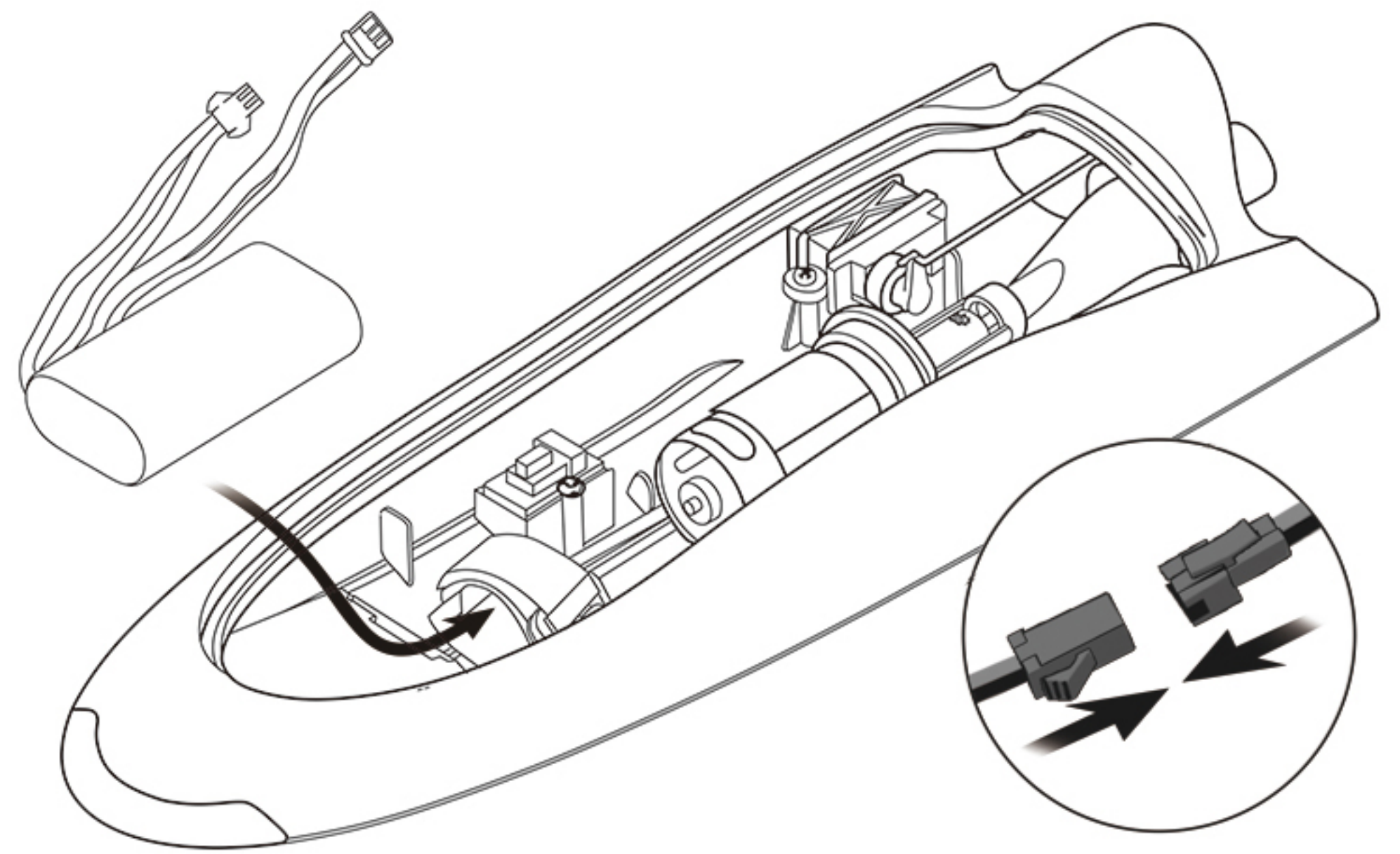
1. Turn the knob lock counterclockwise and pull the upper hull upward to remove the upper hull from the hull.

1. 逆时针旋转旋钮锁并向上拉动顶盖, 从船体上卸下顶壳。



2. Fix the fully charged battery in the holder with the cable facing the front of the boat and fasten it tightly with Velcro, then connect the battery.

2. 将充满电的电池固定在电池架中, 电池电缆朝船的前方并用魔术贴紧紧固定, 然后连接电池。



## Battery charging instruction

### 电池充电说明

Insert one side of the USB connector into the battery, and the other side into any computer USB port.

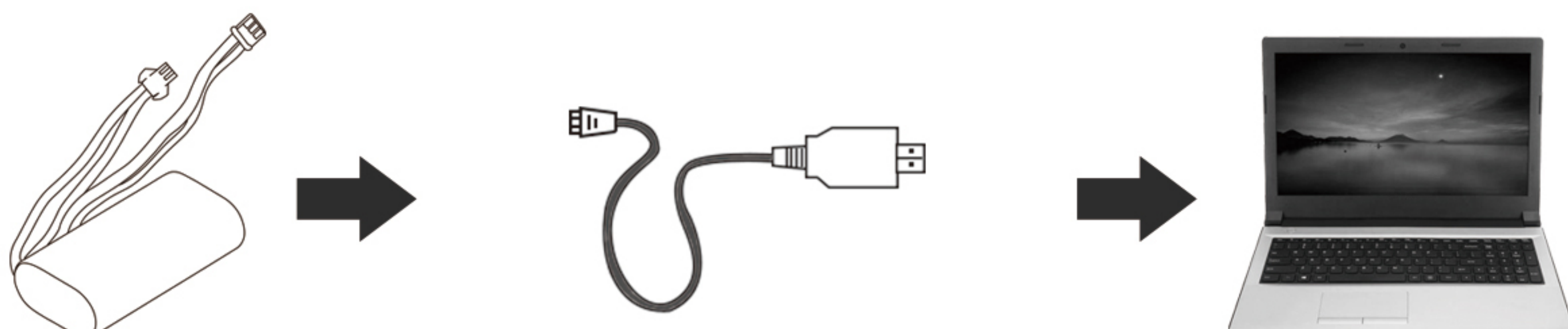
将USB连接器的一侧插入电池, 另一侧插入任何计算机USB端口。

Charger LED Indications 充电器指示灯

Green, flashing = Charging  
绿灯, 闪烁 = 正在充电

Red, solid = Stand by  
红灯, 常亮 = 支持

Green, solid = Charging complete  
绿灯, 常亮 = 充电完成

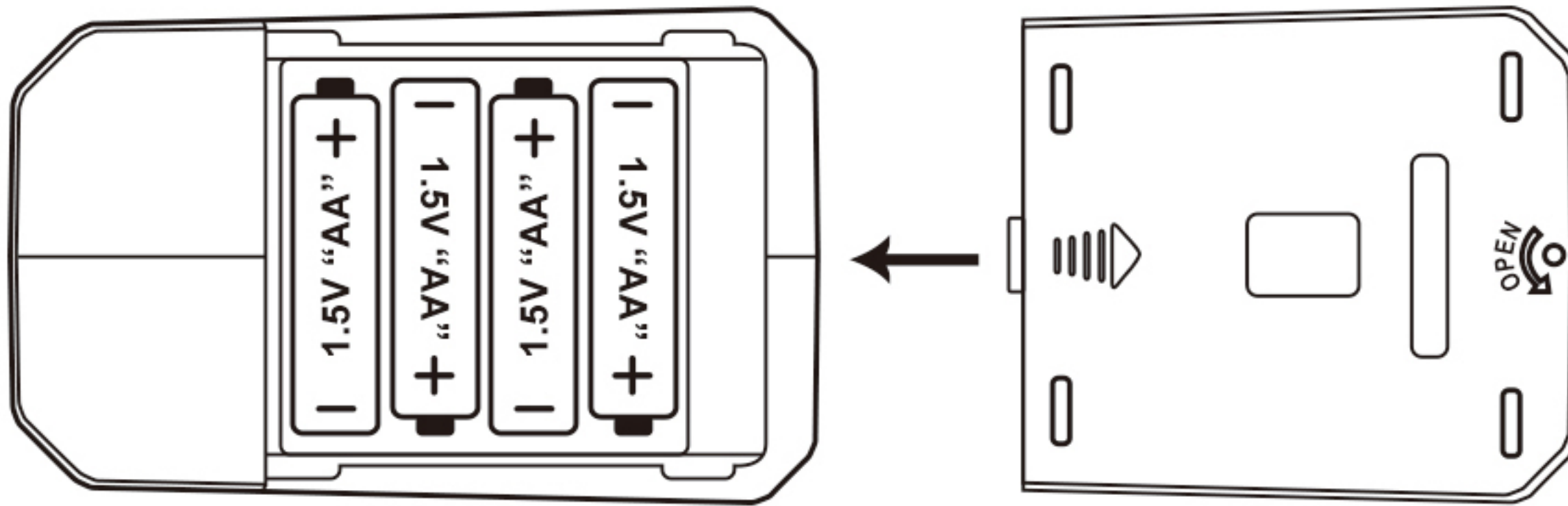


## Methods for installing batteries of remote controller

### 遥控器电池安装

Open the battery cover of the remote controller , insert 4 × 1.5 V “AA” (purchased separately )battery into the battery case according to positive and negative electrodes , close the battery cover.

打开遥控器的电池盖，按正负极的方向装上4 × 1.5 V “AA” (需另购)电池，合上电池盖。



## Note on charging 充电事项

**NOTICE:**Charge only batteries that are cool to the touch and are not damaged . inspect the battery to make sure it is not damaged e.g., swollen,bent,broken or punctured.

**注意：**请仅对触感清凉且未损坏的电池充电。检查电池以确保其没有损坏，例如膨胀，弯曲，破裂或刺穿。

**⚠ CAUTION:**only use charger specifically designed to charge the included Li-Ion battery.failure to do so could result in fire,causing injury or property damage.

**警告：**只能使用专门设计的充电器为随附的锂电池充电，否则可能会导致起火，受伤或财产损失。

**⚠ CAUTION:**never exceed the recommended charge rate.

**警告：**切勿超过建议的充电率。

USE ONLY THE INCLUDED USB CHARGER TO CHARGE THE BATTERY.

仅使用随附的USB充电器为电池充电。

1.Connect the charger to a suitable USB power port.the charger will work with most 5V mobile power sources or smartphone chargers with at least 1 amp of power output.

1.将充电器连接到合适的USB电源端口，该充电器可与大多数5V移动电源或具有至少1A输出功率的智能手机充电器一起使用。

**NOTICE:**Charging the battery with a USB power port with less than 1 amp of power output can produce heat.

**注意：**使用USB电源端口为电池充电，其电源输出小于1A会产生热量。

2.Connect the charge lead to the battery,noting correct polarity. charging a fully discharged battery takes approximately 2-3 h,charge times may vary depending on the power source.

2.将充电线连接到电池，注意插口正确。为完全放电的电池充电大约需要2-3h，充电时间可能会因电源而异。

3.Remove the battery from the charger when the charging cycle is complete.

3.充电完成后，从充电器上拔下电池

4.Remove the charger from the power supply .

4.从电源上拔下充电器

**NOTICE:**Once charging is complete,immediately remove the battery .Never leave a battery connected to the charger.

**注意：**充电完成后，请立即取出电池。切勿将电池与充电器连接。

## Charging warning 充电警告

**CAUTION:**All instructions and warnings must be followed exactly .mishandling of li-ion batteries can result in a fire , personal injury and property damage.

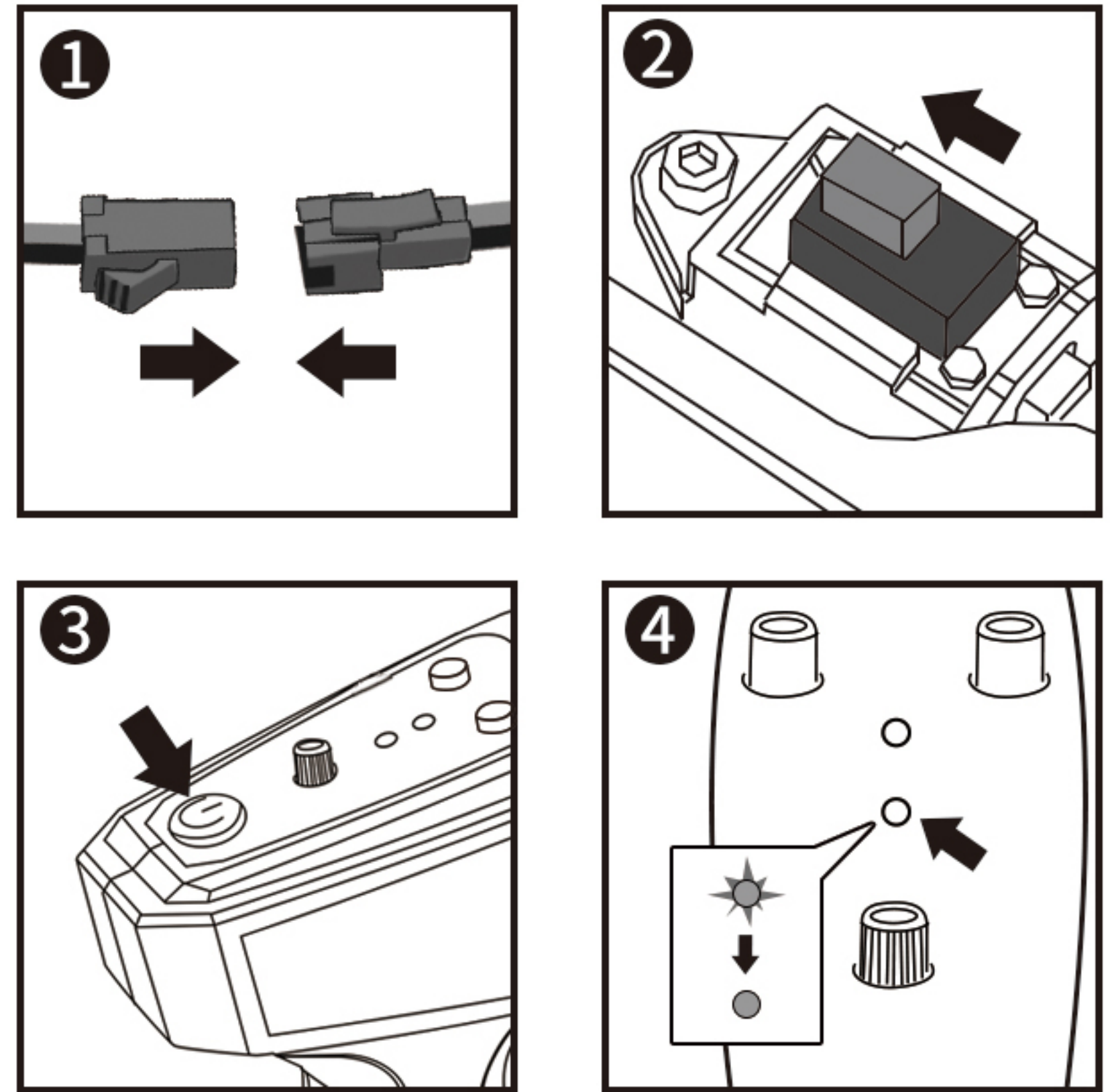
**警告：**必须严格遵守所有说明和警告。锂离子电池操作不当会导致火灾，人身伤害和财产损失。

- NEVER LEAVE CHARGING BATTERIES UNATTENDED.
- 切勿在无人看管的情况下为电池充电。
- NEVER CHARGE BATTERIES OVERNIGHT.
- 切勿隔夜为电池充电。
- If at any time the battery begins to balloon ,discontinue use immediately .if charging or discharging,discontinue and disconnect.continuing to use ,charge or discharge a battery that is ballooning can result in fire.
- 在任何时候电池开始膨胀，请立即停止使用。如果正在充电或放电，请中止并断开连接。继续给正在膨胀的电池充电或放电会导致火灾。
- Always store the battery at room temperature in a dry area for best results.
- 为了保持电池最佳状态，请务必将电池在室温下存放在干燥的地方。
- Always transport or temporarily store the battery in a temperature range of 5-49°C.
- 务必在5-49°C的温度范围内运输或临时存放电池。
- Do not store battery or model in a car or direct sunlight.if stored in a hot car, the battery can be damaged or even catch fire
- 请勿将电池或模型存放在汽车中或阳光直射的地方，如果存放在热的汽车中，电池可能会损坏甚至着火。
- Always charge batteries away from flammable materials.
- 切勿在易燃材料附近的给电池充电。
- Always inspect the battery before charging.
- 充电前请务必检查电池。
- Always disconnect the battery after charging ,and let the charger cool between charges.
- 充电后请务必断开电池连接，并在两次充电之间让充电器冷却。
- Only use a charger specifically designed to charge li-ion batteries.failure to charge the battery with a compatible charger may cause a fire resulting in personal injury and property damage.
- 只能使用专门为锂电池充电的充电器，使用兼容的充电器给电池充电可能会引起火灾，从而导致人身伤害和财产损失。
- Never discharge Li-ion cells to below 3V under load.
- 切勿在负载下将锂离子电池放电至低于3V。
- Never charge batteries outside recommended levels.
- 切勿给电池充电超出建议的水平。
- Never charge damaged batteries.
- 切勿给损坏的电池充电。
- Never attempt to dismantle or alter the charger.
- 切勿尝试拆卸或更改充电器。
- Never allow minors to charge battery packs.
- 切勿让未成年人为电池组充电
- Never charge batteries in extremely hot or cold places (recommended between 5-49°C )or place in direct sunlight.
- 切勿在极热或极冷的地方（建议在5-49°C之间）或在阳光直射的地方给电池充电。

## Preparation for use 使用准备

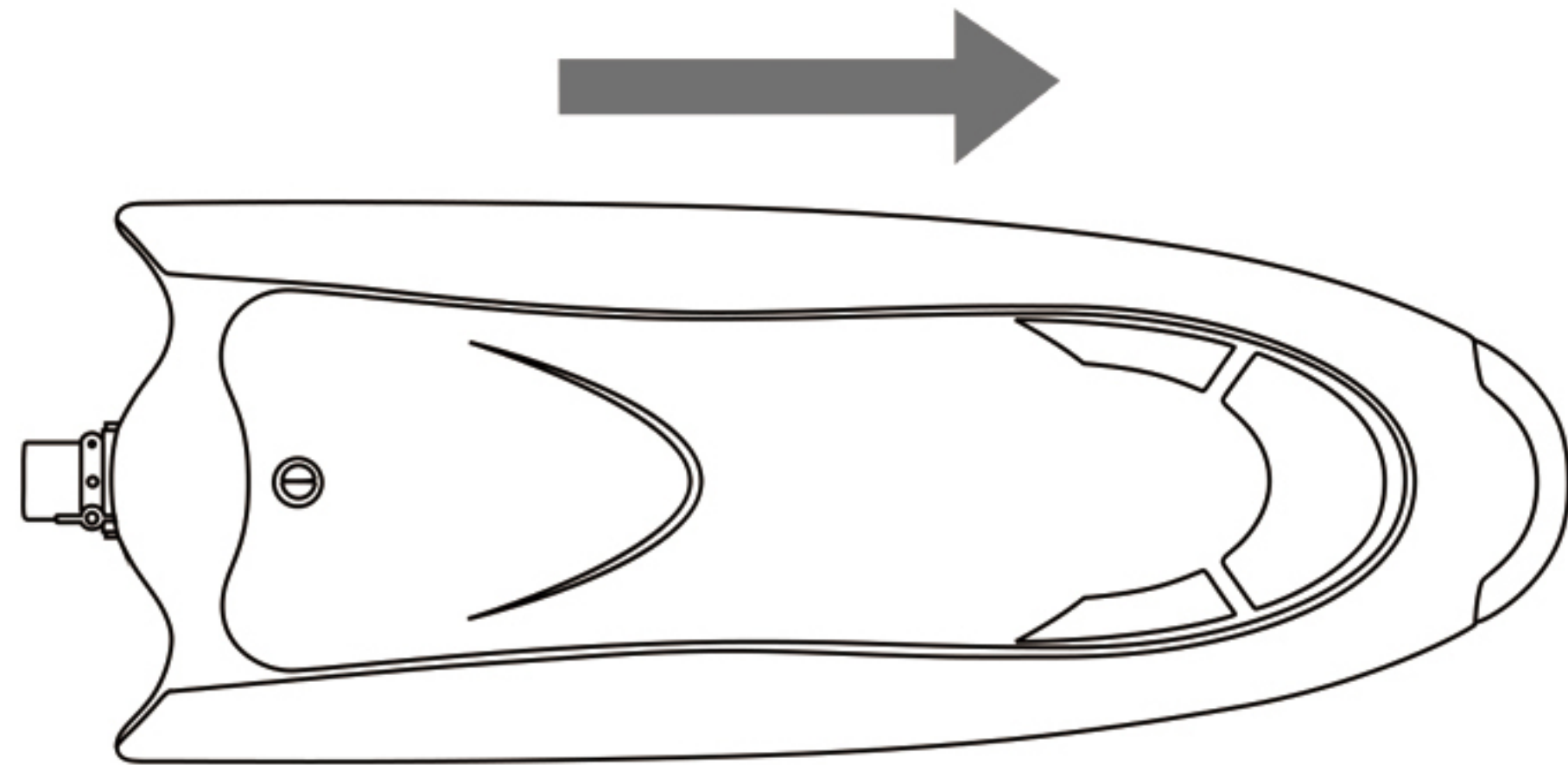
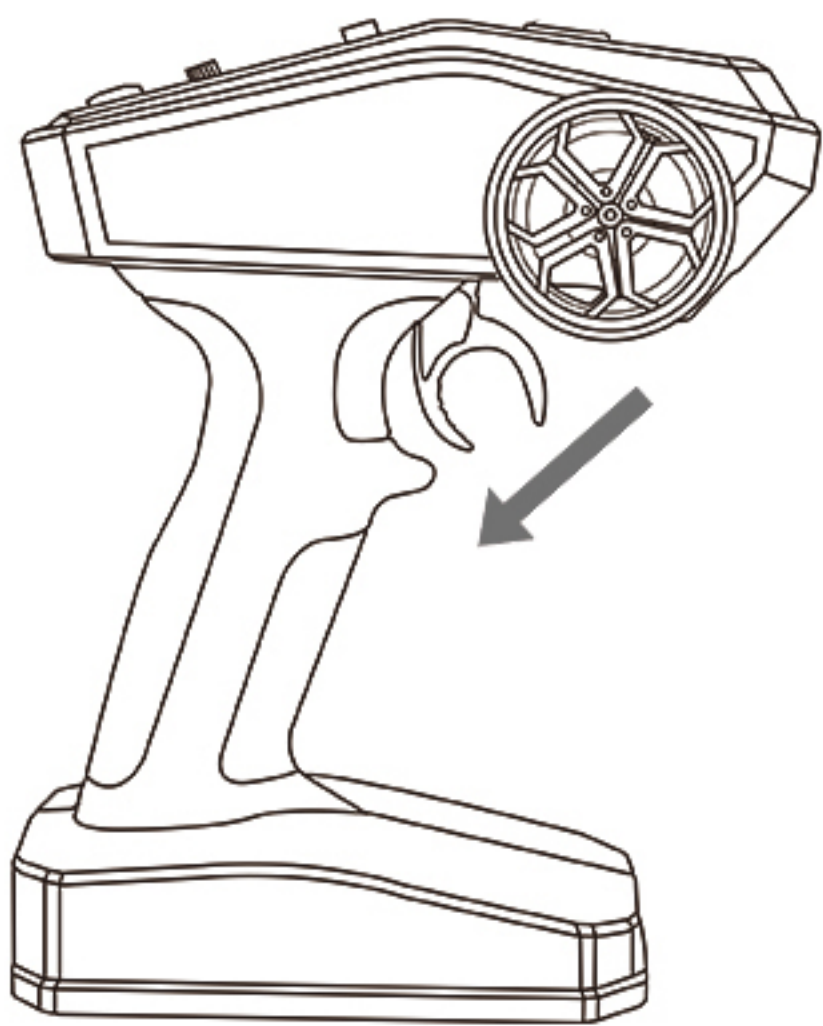
1. Connect the battery to the boat
2. Turn on the hull switch
3. Power on the remote control
4. Waiting for the green linking light to change from flashing to steady on, the linking is complete and you can start playing.

- 1.将电池连接到船
- 2.打开船体开关
- 3.打开遥控器电源
- 4.等待绿色对频灯由闪烁变为常亮时，对频完成可以开始使用



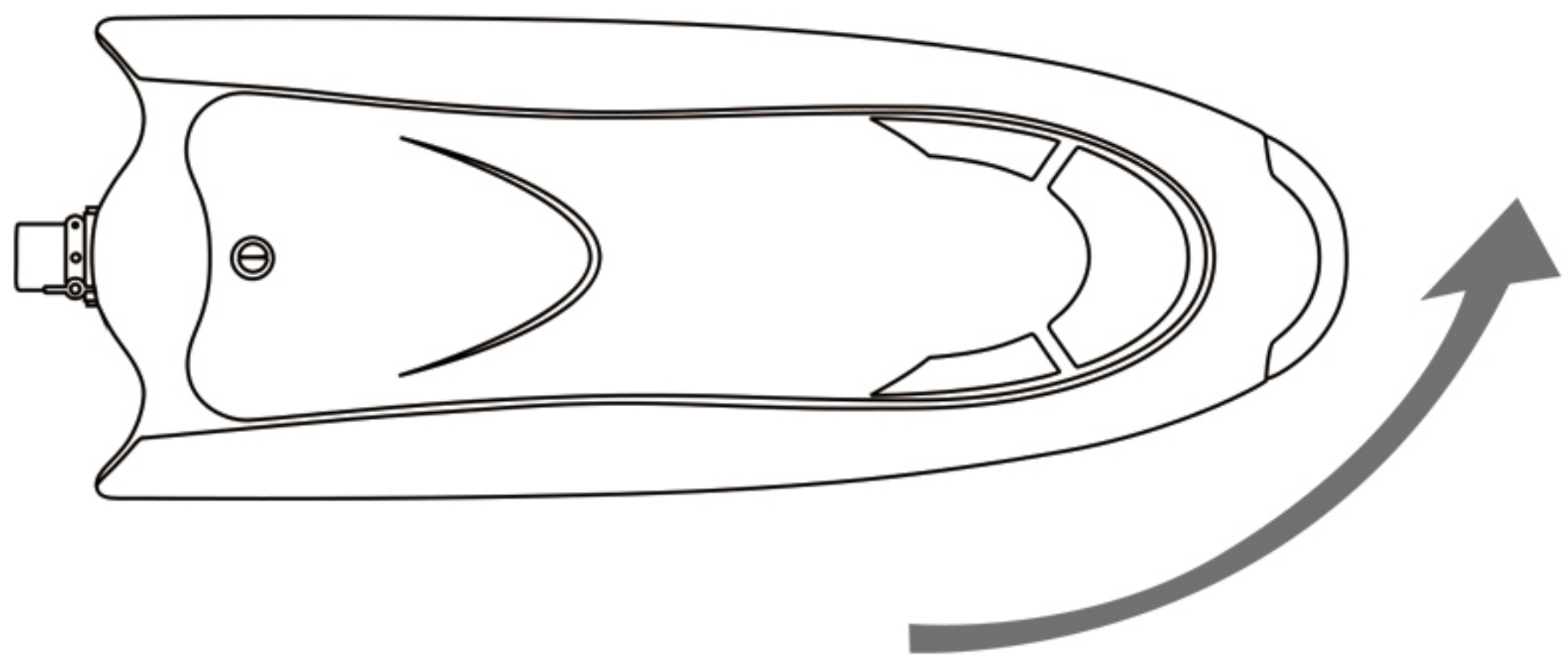
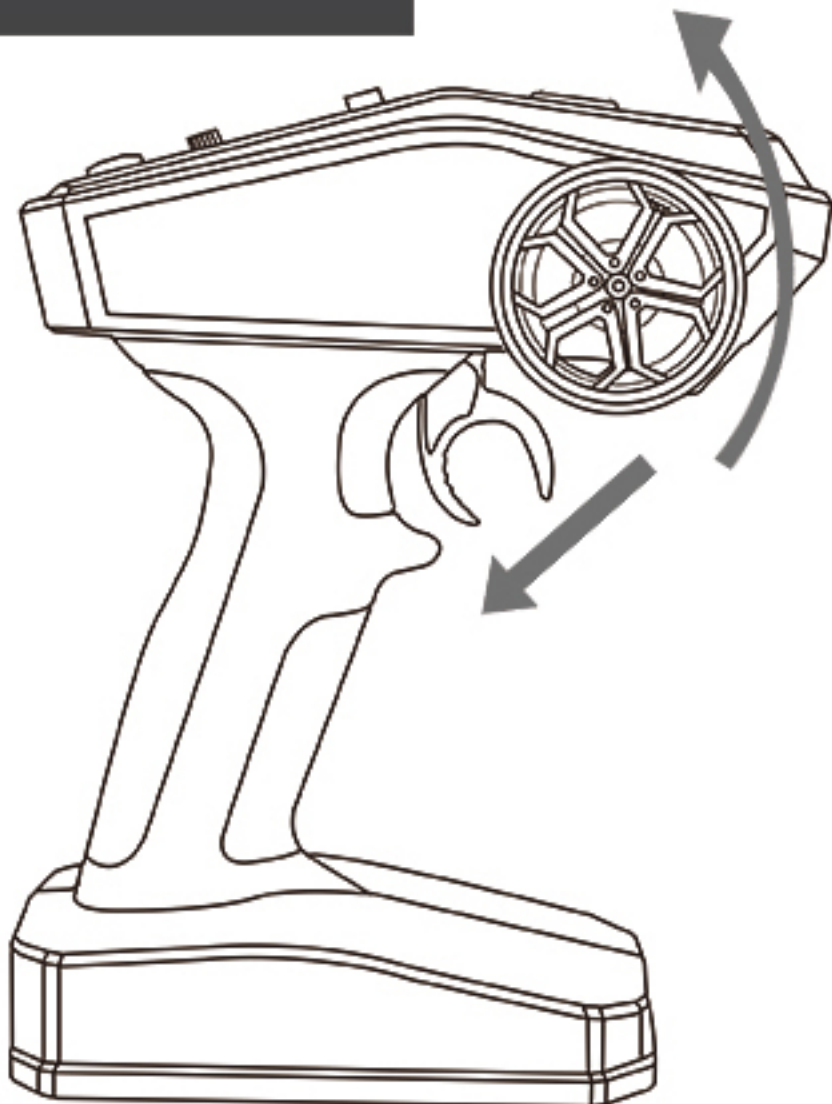
## Operation method 操作方式

### Forward 前进



Pull the throttle stick inward, the boat moves forward. 向内拉油门杆，船向前移动。

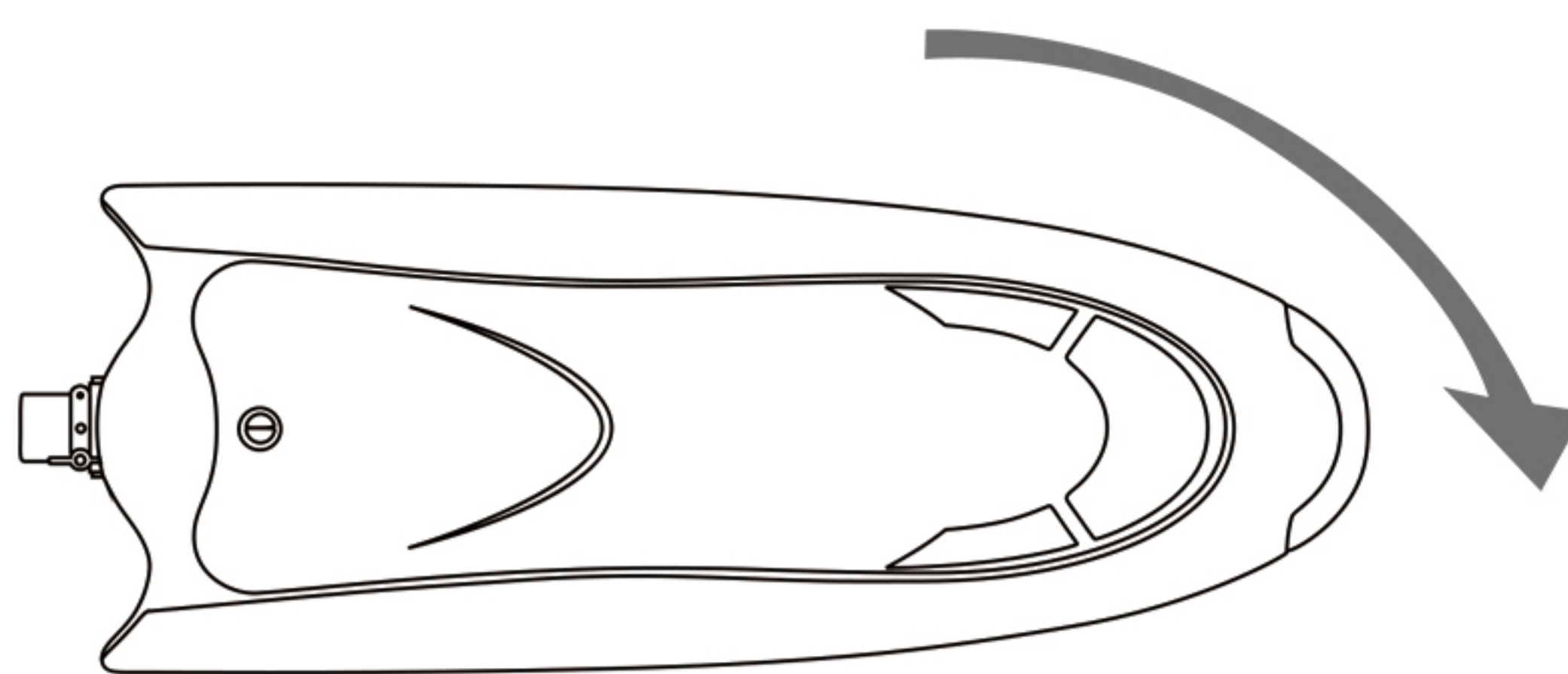
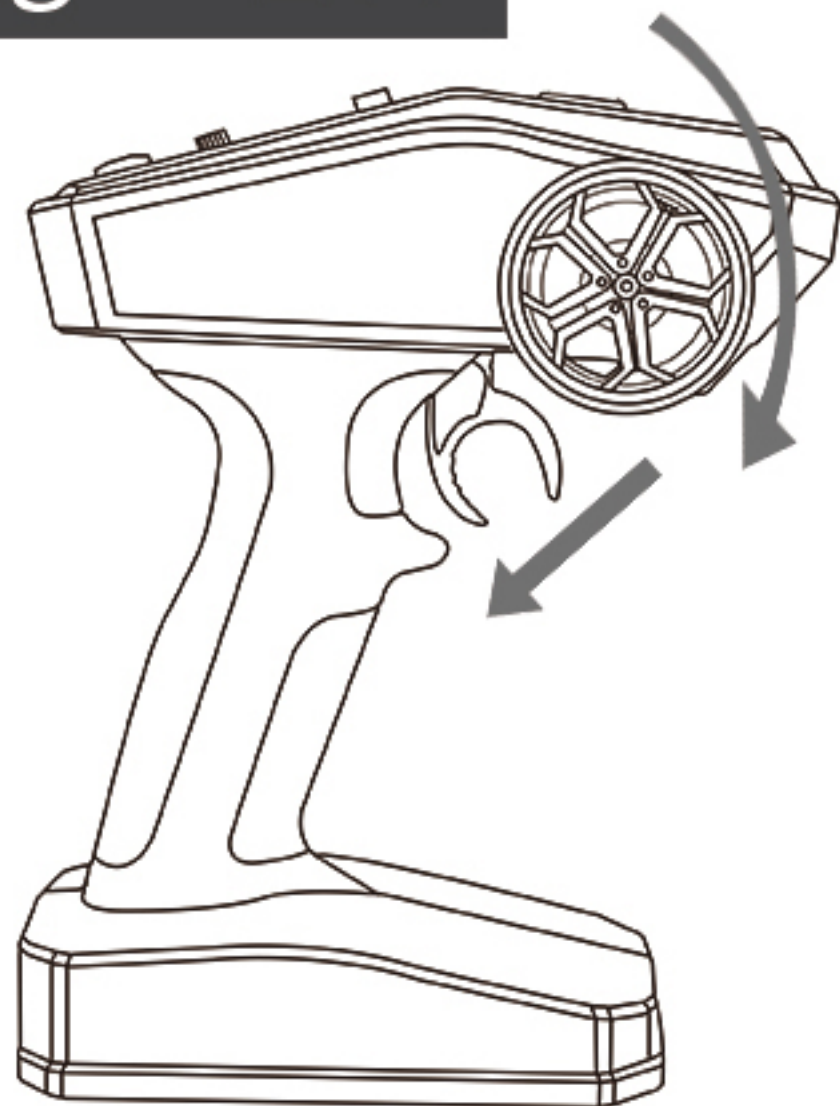
### Turn Left 左转



Pull the throttle stick inward, and turn the steering wheel counterclock at the same time, the boat turn left. 向内拉油门杆，同时逆时针旋转转向轮，船左转。



## Turn Right 右转



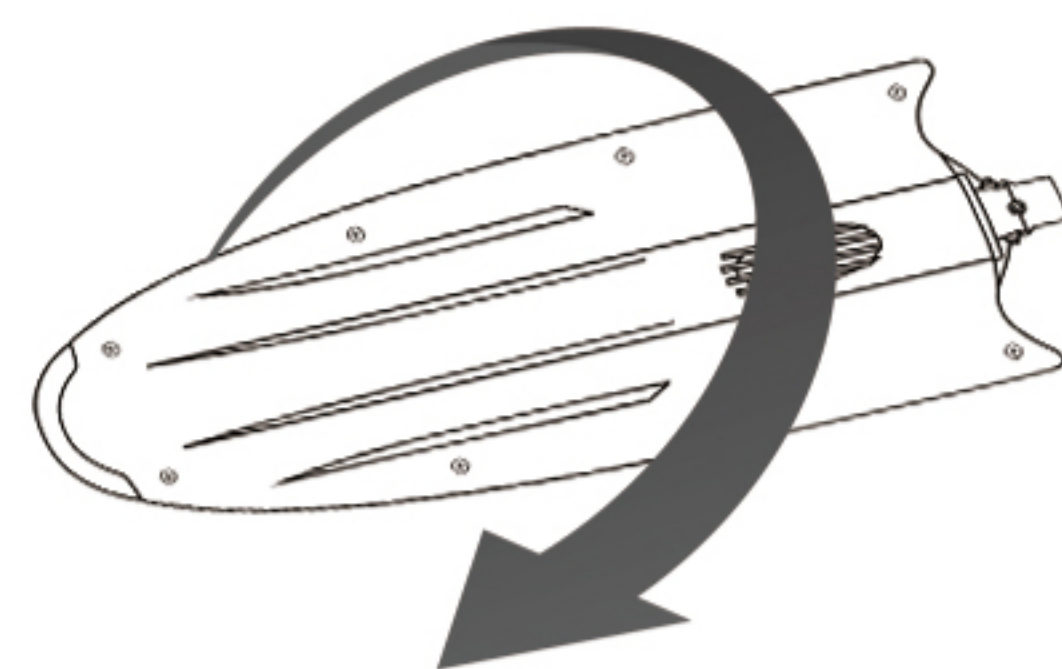
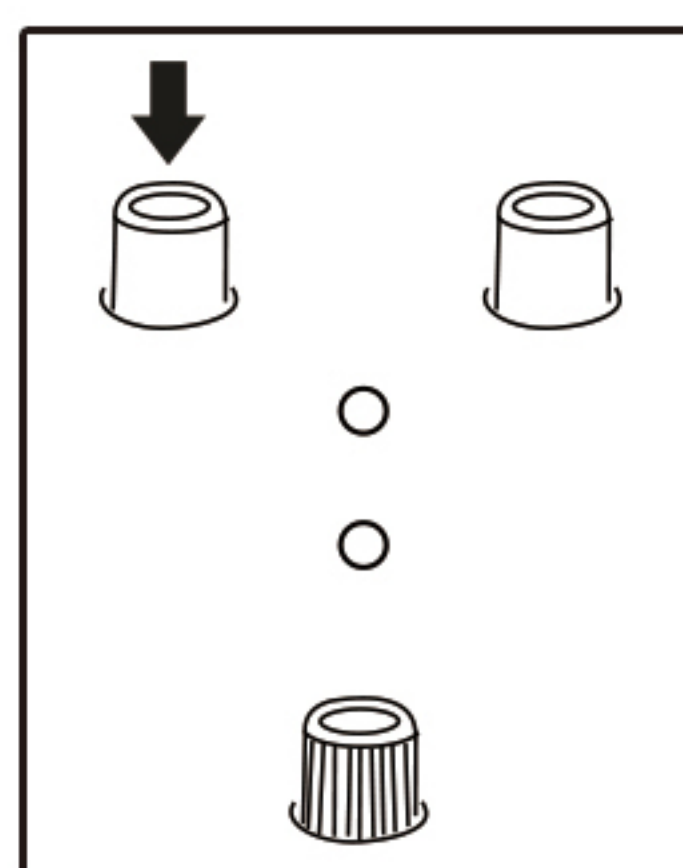
Pull the throttle stick inward, and turn the steering wheel clockwise at the same time, the boat turn right. 向内拉油门杆, 同时顺时针旋转转向轮, 船右转。

## Remote control function description 遥控器功能说明

### Reset Button 复位按钮

When the boat is flipped, press the reset button in upper left corner until the boat is turned over, press the reset button again to close the reset.

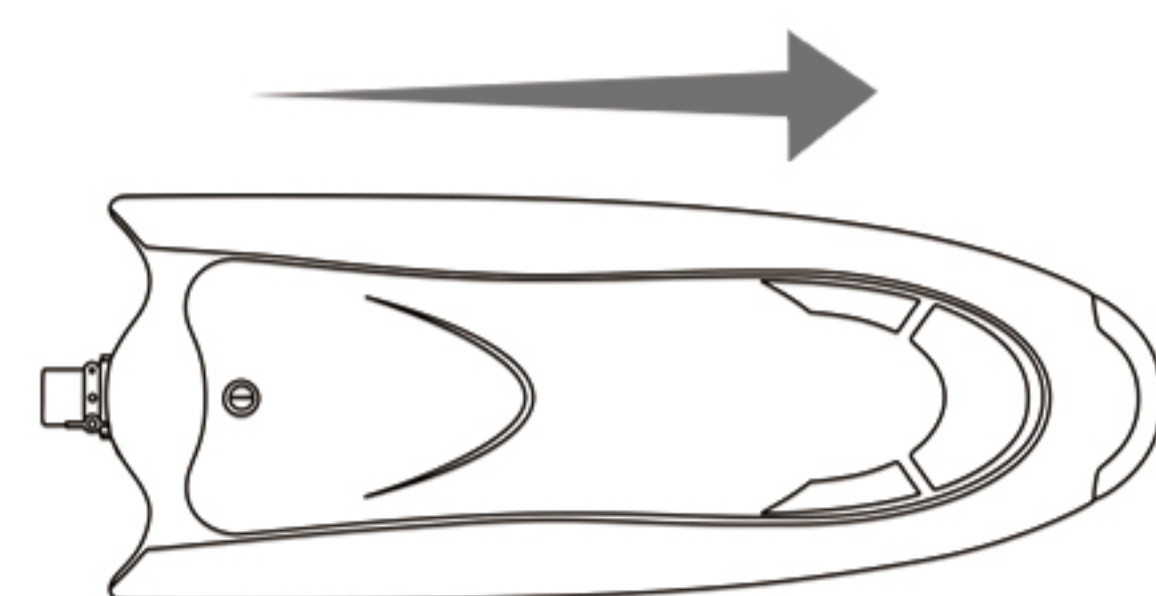
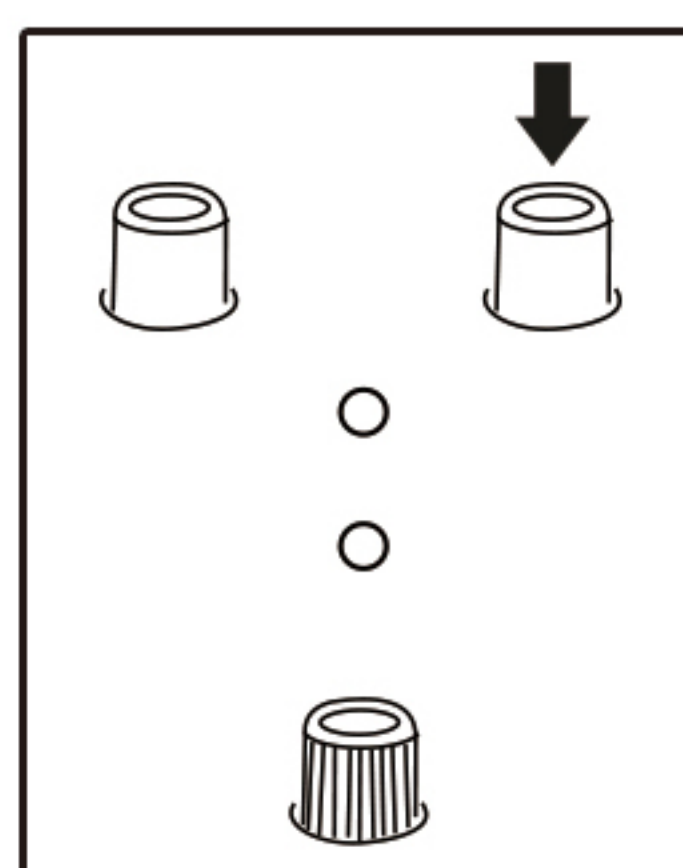
当涡轮船侧翻过来时, 按下左上角的复位按钮, 直到船体翻转过来, 再次按下复位按钮关闭复位。



### Speed Button 速度调节

Under normal driving conditions, press the speed control button to emit 2 "Beep" prompts, this is the speed of the second gear. Press the speed control button again to emit 3 "Beep" prompts, this is the speed of the third gear. Continue to press the speed control button to return to the initial state, that is the first speed.

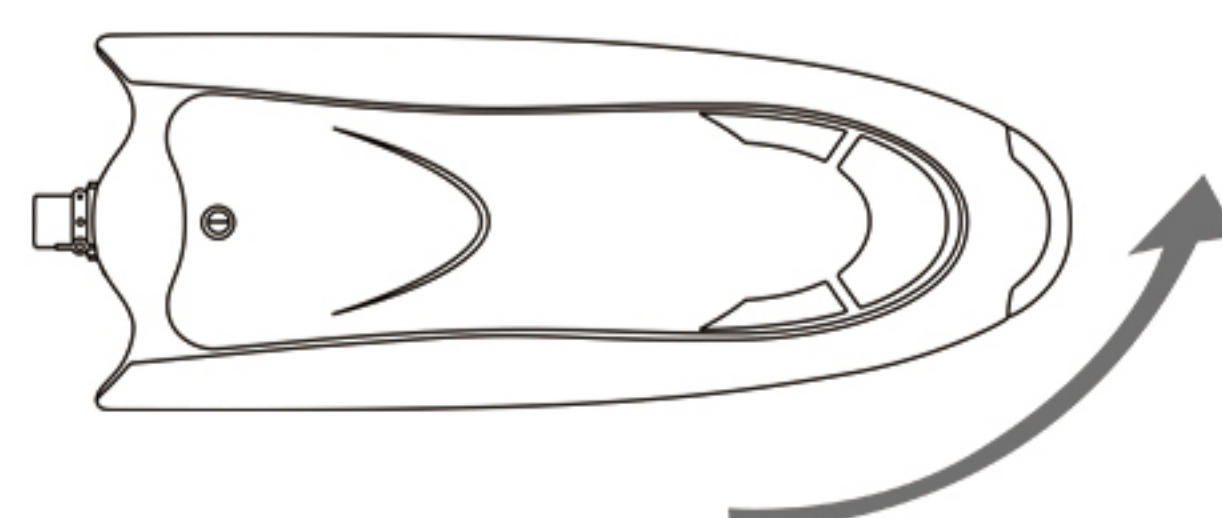
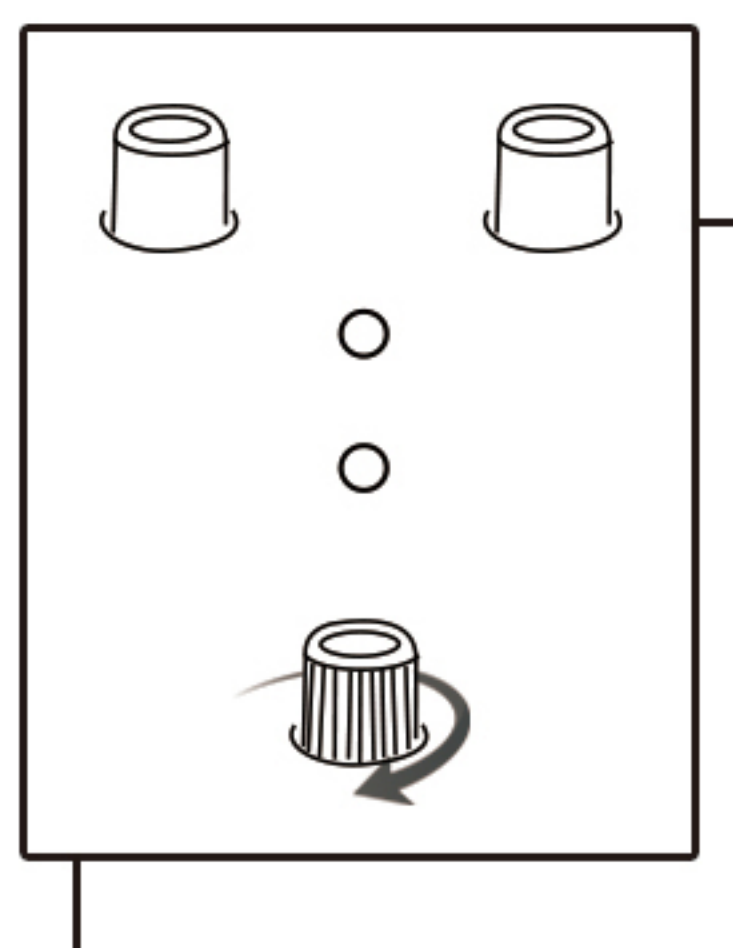
正常行驶状态下, 按下调速键, 发出2声“滴”提示, 为二档提速, 再按下调速键, 发出3声“滴”提示, 为三档提速。继续按下调速键, 恢复为初始状态, 即一档速度。



### Left / Right Trim 左右微调

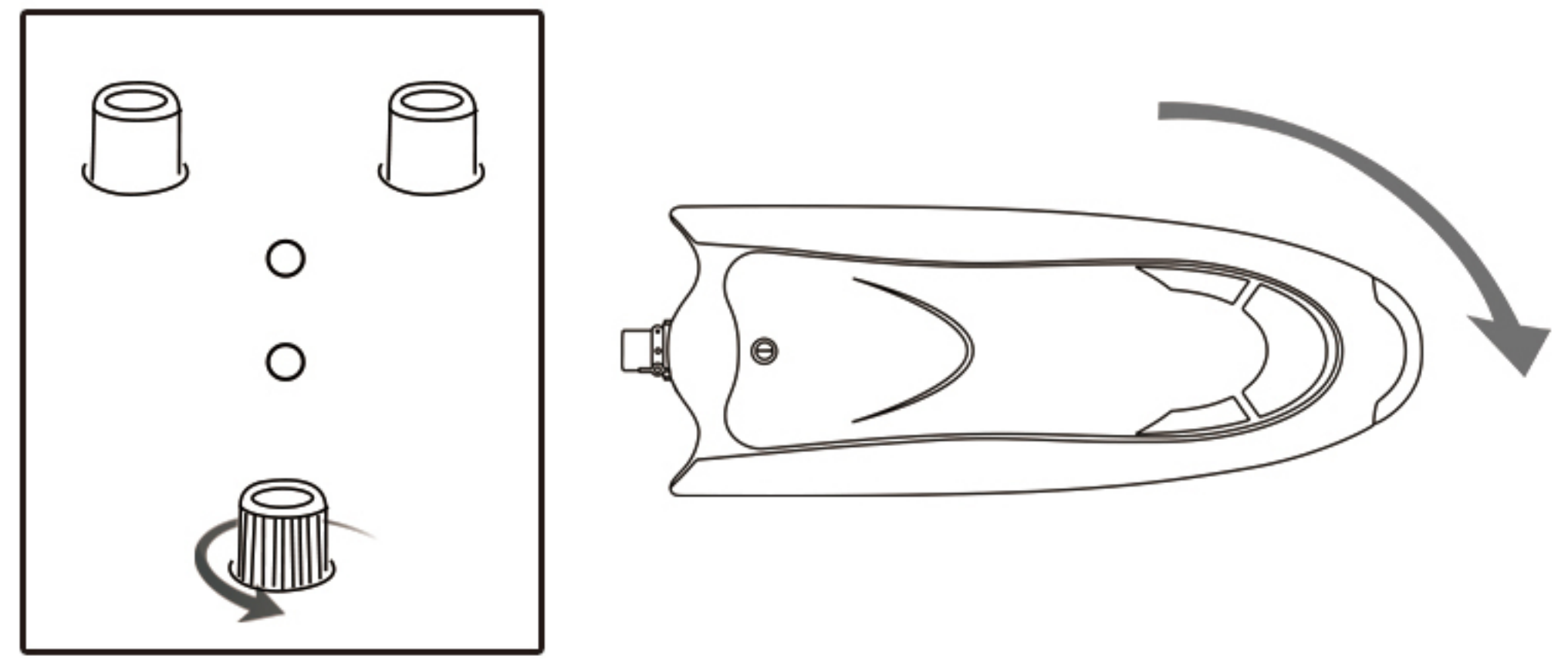
When the boat is moving forward, deflect to the left and turn the fine adjustment knob clockwise slightly until the boat is traveling in a straight line.

当船在前进时, 往左偏转, 顺时针微微转动微调旋钮, 直到船沿直线行驶。



When the boat is moving forward, deflect to the right and slightly turn the fine adjustment knob counterclockwise until the boat is traveling in a straight line.

当船在前进时，往右偏转，逆时针微微转动微调旋钮，直到船沿直线行驶。

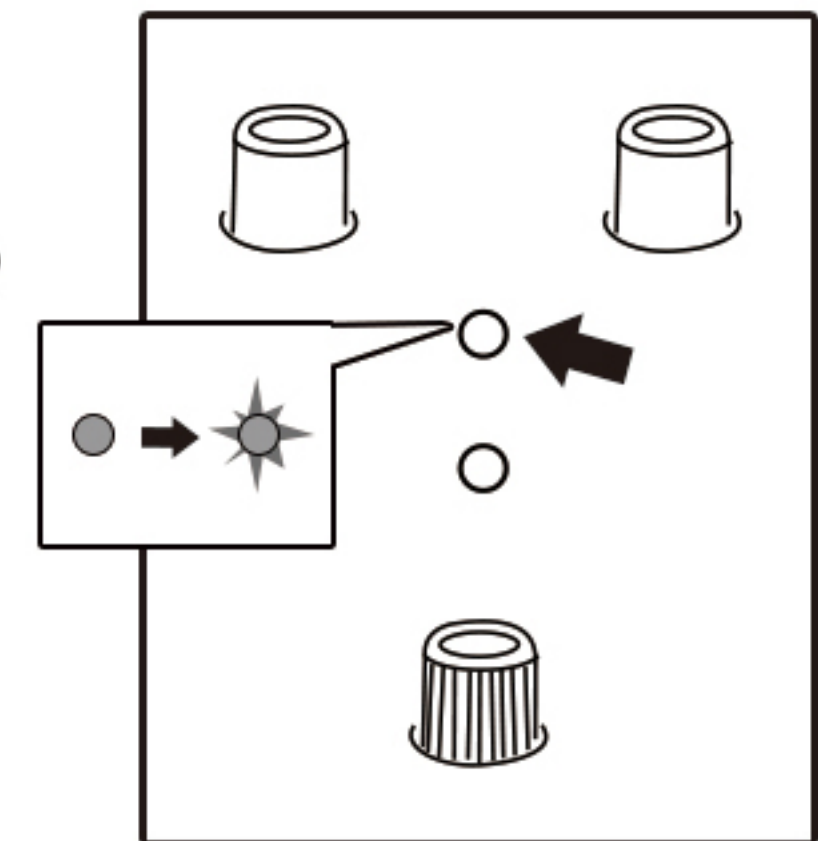


## Low Battery Warning Light 低电警告

### Remote Controller Low Battery 遥控器低电量

When the boat is low in battery, the red indicator light flashes continuously, be sure to change the battery of the jet boat on the shore as soon as possible, rematch frequency to use it again.

当遥控器低电量时，红色指示灯会连续闪烁提示，尽快将涡喷船开回岸上更换遥控器电池，重新对频使用。



### Boat Low Battery 船体低电量

When the remote control makes a “Dee” “Dee” sound, it means the jet boat has low power. To avoid running out of battery power, please drive the boat back to shore as soon as possible to replace the battery, and continue using it after pairing.

当遥控器发出“滴”“滴”声时，为涡喷船船体低电量，为避免电池电量耗尽无法行驶，请尽快将涡喷船开回岸上更换电池，重新对频后继续使用。

## Over Distance Warning 超航警告

When the boat is driving far, when the remote control makes a long “Dee” sound in every 3 seconds, the boat is about to exceed the control range, please drive back immediately!

当涡喷船在远处行驶过程中，遥控器发出每隔3秒“滴”一声长响时，涡喷船即将超出遥控范围，请马上往回开！

## Product Maintenance 使用保养

After using the boat, you should remove the top cover, take out the battery from the boat, and check whether there is water in the hull. If yes, please wipe off the water drops and leave it in the air for a period of time, and then put on the top cover after drying, which prevent damage to the internal electronic parts. Next time you use it, fix the battery on the rack and connect it to the power source.

使用完涡喷船后，应当卸下顶盖，取出船内电池，查看船体内部有无进水情况。如有，请将水珠擦掉并晾晒一段时间，晾干后再盖上顶盖，防止内部电子零件损坏。下次使用时，再将充满的电池固定在电池架上，连接电源使用即可。

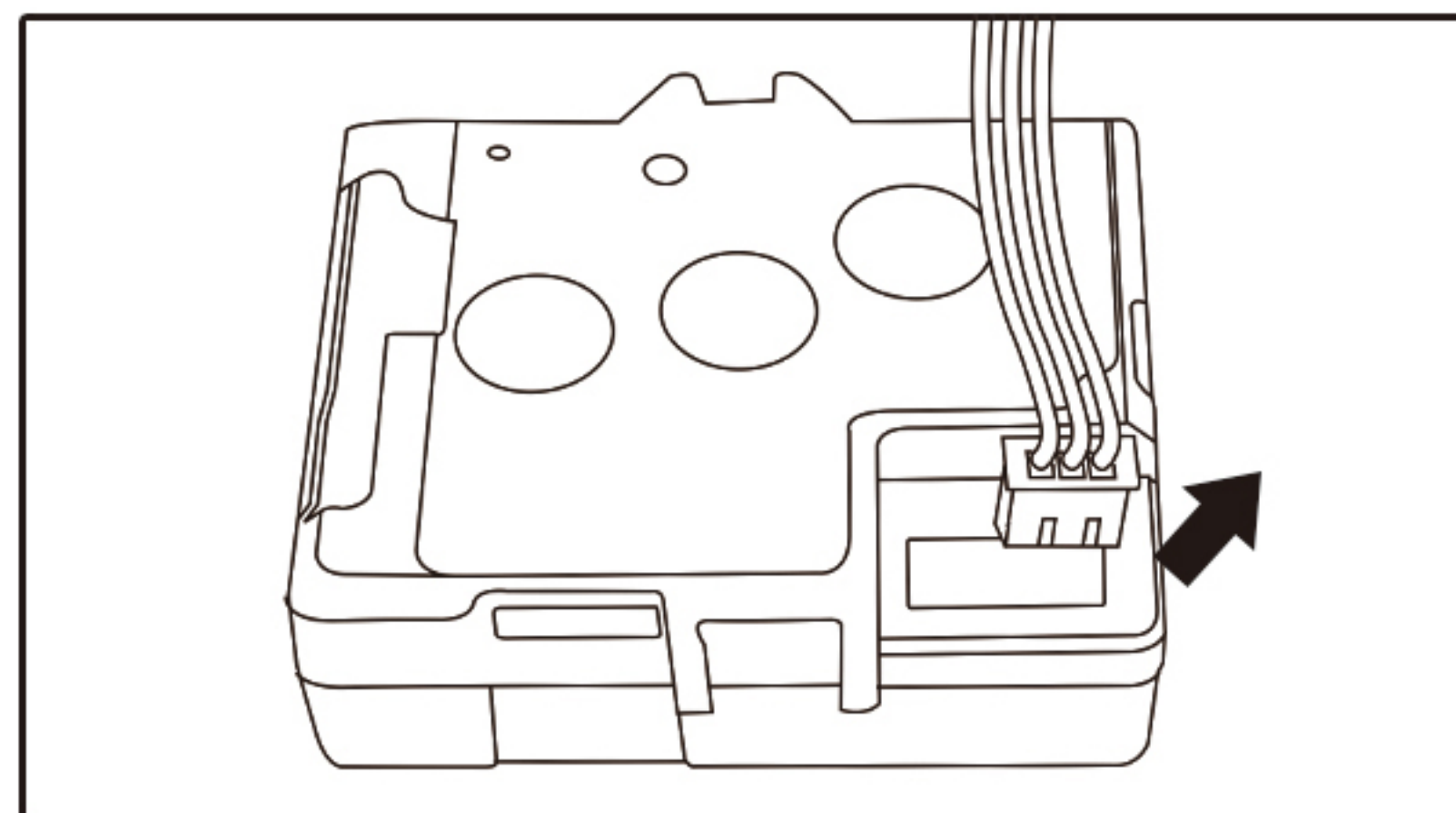
## Hull Maintenance 船体维护

When the speed of the turbojet boat suddenly slows down, it is possible that the suction port is blocked by some debris such as leaves and the power cannot be transmitted or the propeller is stuck. Please drive the turbojet boat back to the shore to clean the suction port and continue using it.

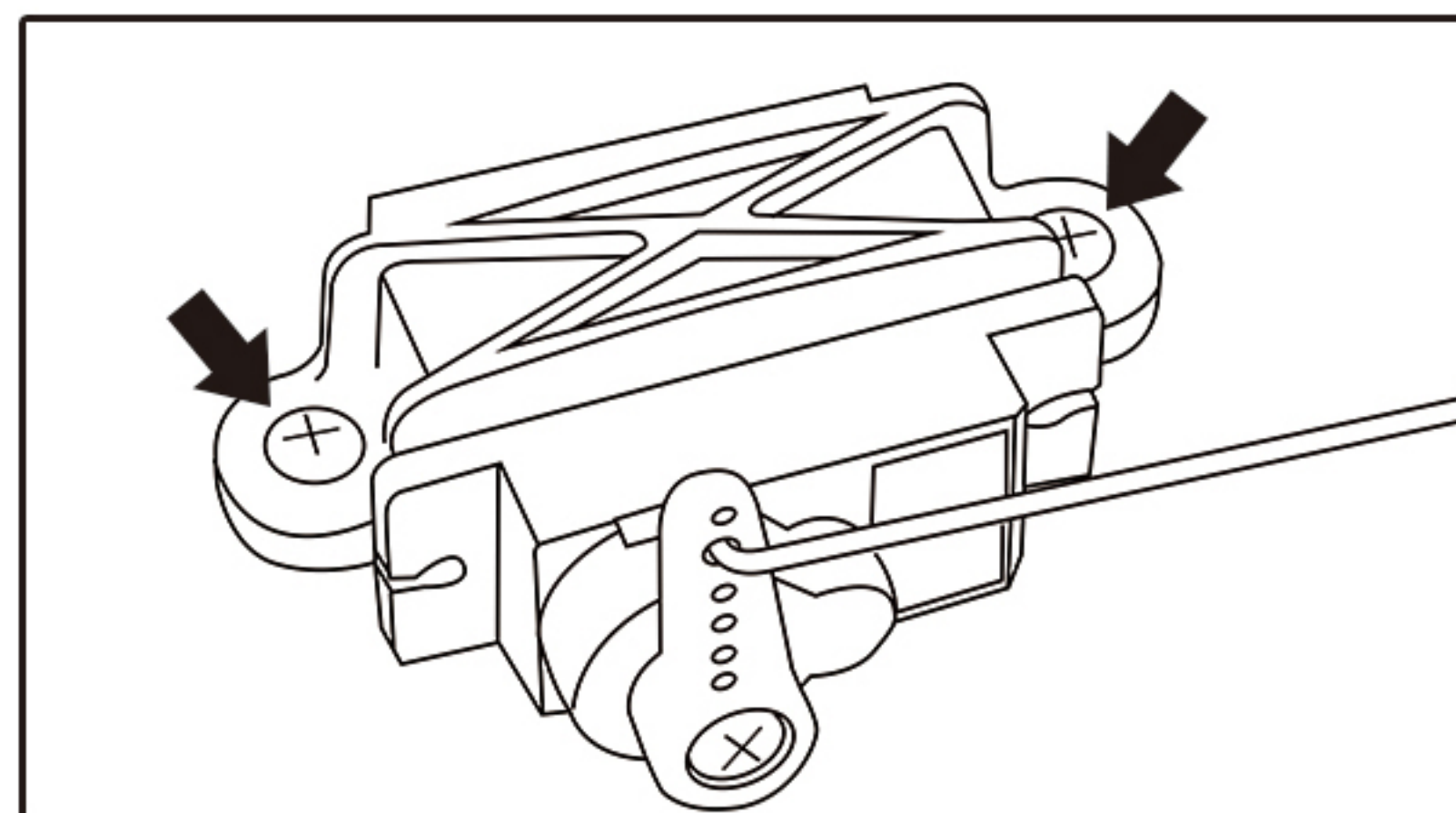
当涡喷船速度突然变慢时，有可能是吸水口被树叶等一些杂物堵住导致动力无法传递或者螺旋桨被卡住，请将涡喷船开回岸上清理吸水口后继续使用。

## Steps of replacing the servo 更换舵机步骤

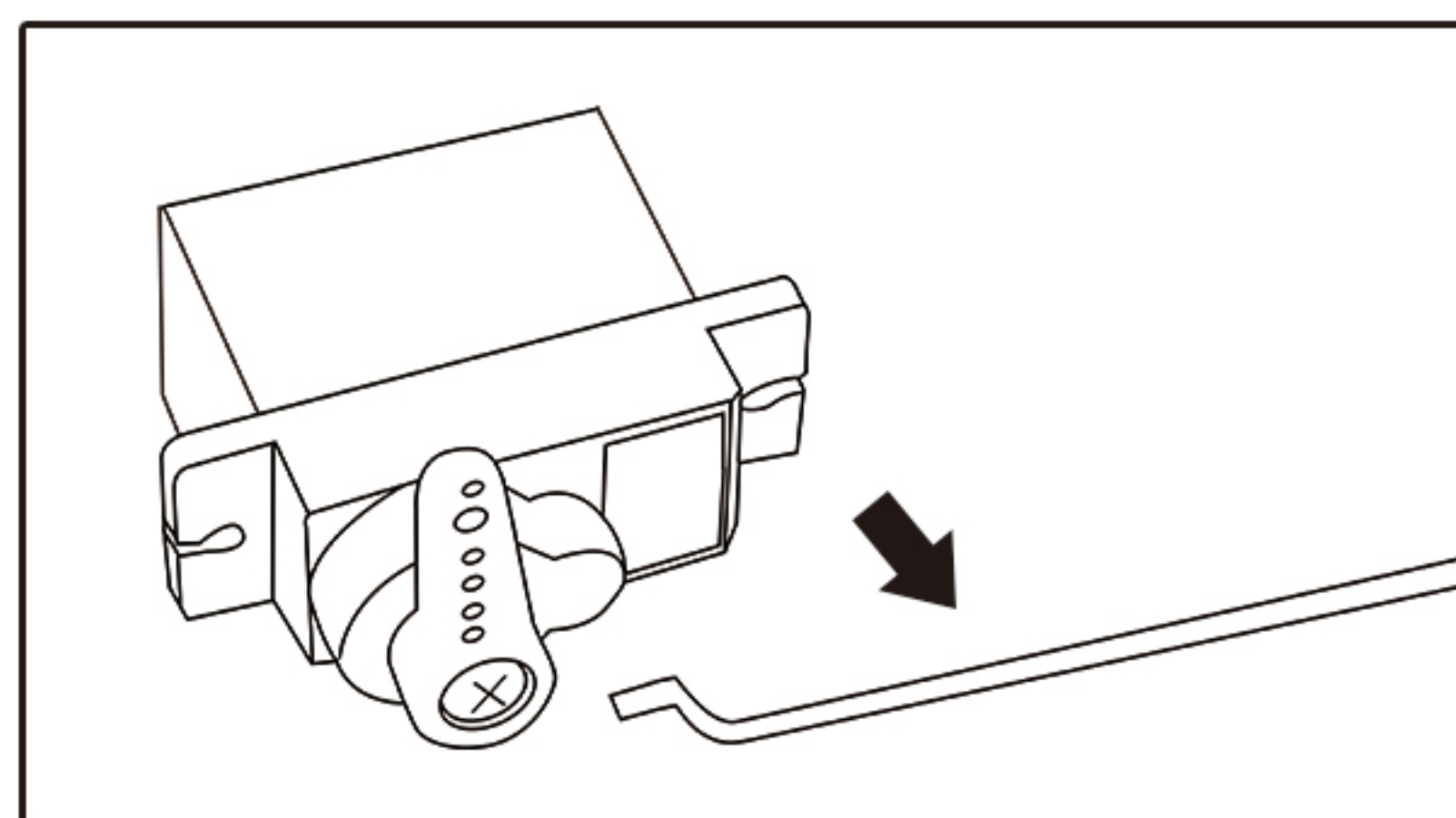
First take off the servo plug from the circuit board.  
先把舵机插头从电路板上拔出



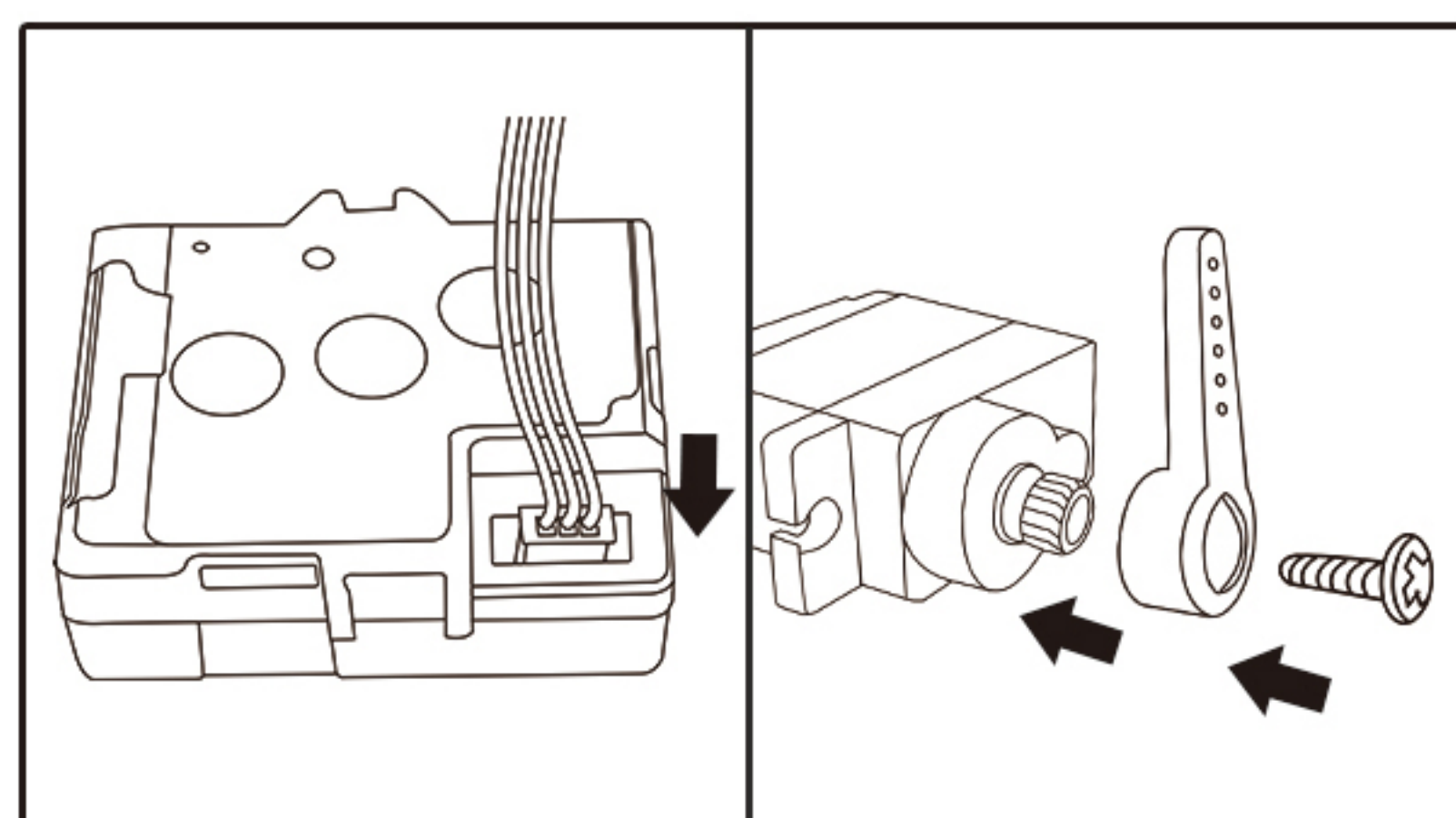
Use a screwdriver to unscrew the 2 screws on the servo fixing frame, and remove the servo fixing frame.  
用螺丝刀拧下舵机固定架上的2颗螺丝，取下舵机固定架



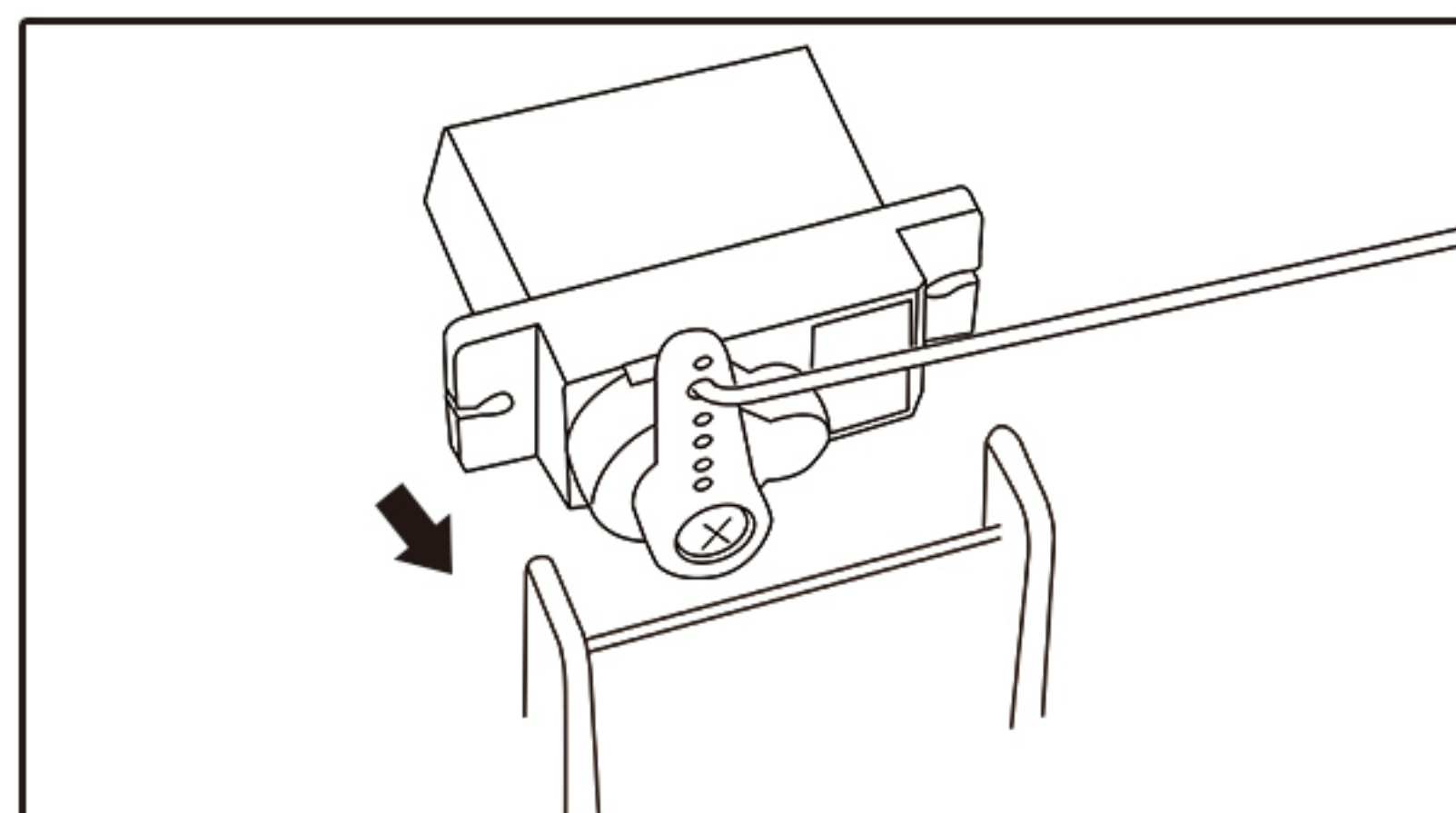
Take out the Z-shaped steel wire steering gear rod from the swing arm.  
将Z型钢线舵机拉杆从摆臂上取出



Take out the new servo, insert the plug into the circuit board and turn on the power to make the servo return to the right position, install the swing arm to the new servo, and tighten the screws.  
取出新舵机，将舵机插头插到电路板上通电使得舵机回正，把摆臂装到新舵机上，拧紧螺丝

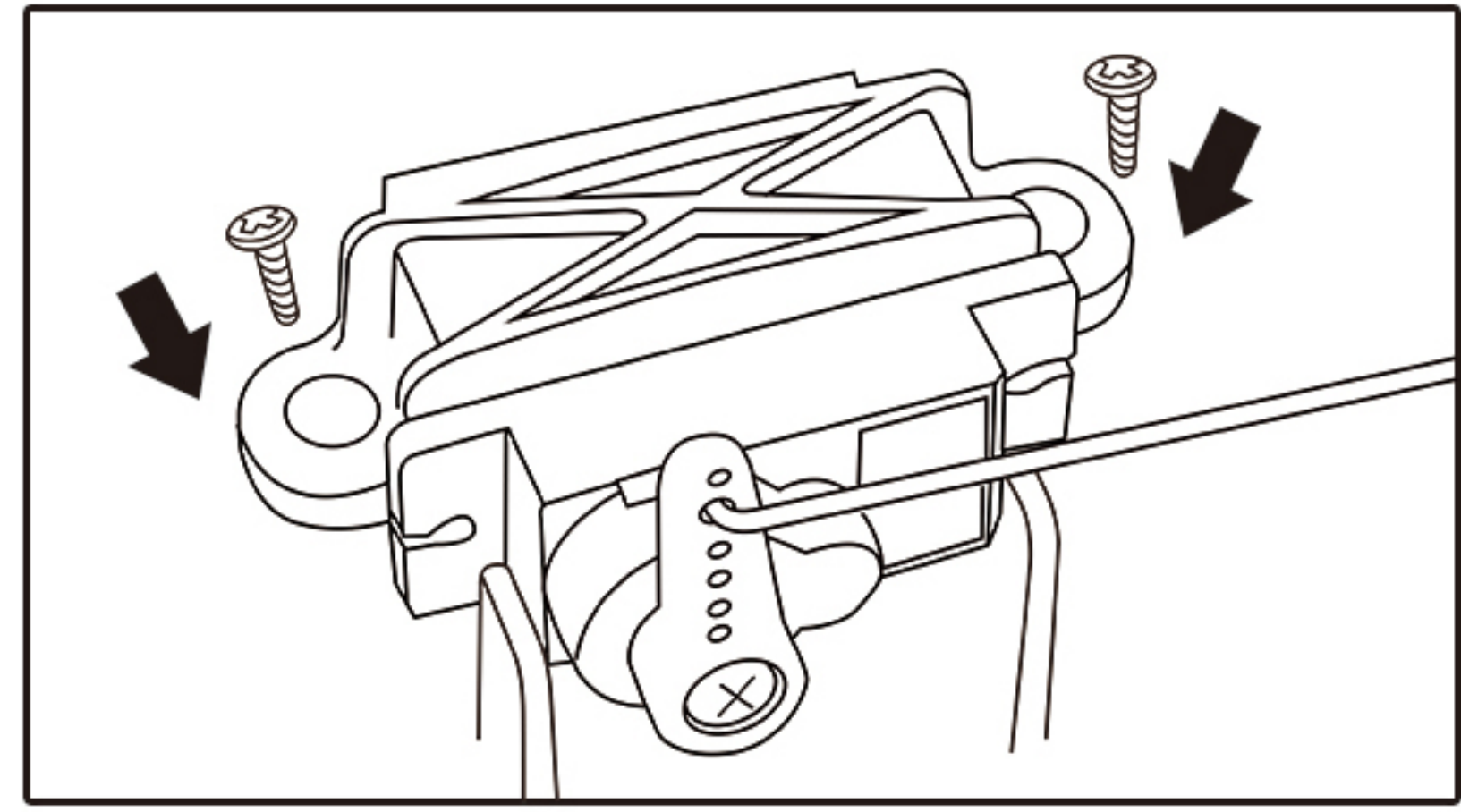


First install the Z-wire steering gear rod to the steering gear arm, and install the steering gear to the position.  
先把Z型钢线舵机拉杆安装到舵机摆臂上，将舵机安装到限位上



Install the servo fixing frame, and tighten the 2 screws on the servo fixing frame with a screwdriver (if there is deviation in the steering port, you can use the remote control trim button to adjust)

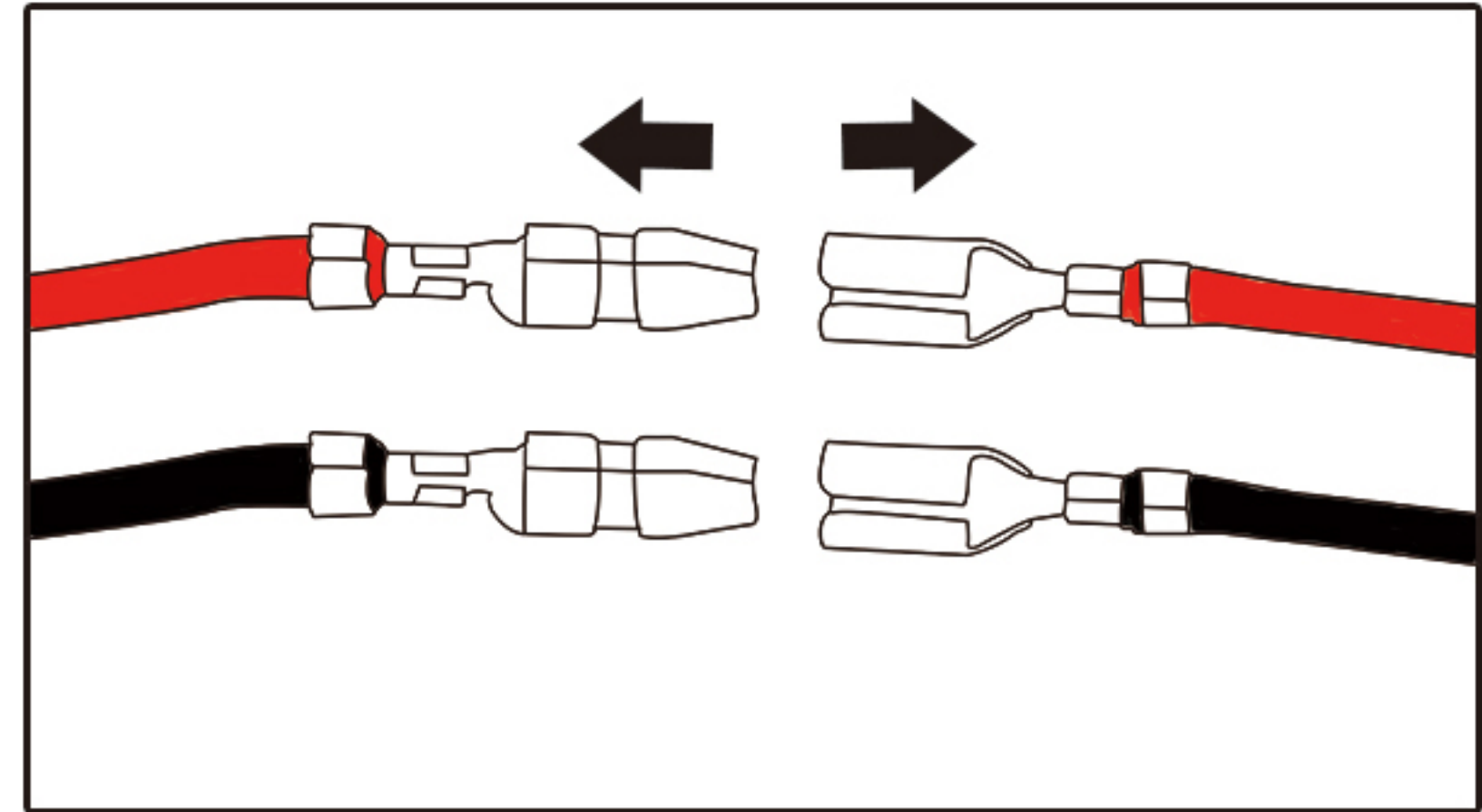
装上舵机固定架，用螺丝刀拧紧舵机固定架上的2颗螺丝(如果转向口存在偏差，可用遥控器微调键调整)



## Steps of replacing the servo 更换电机步骤

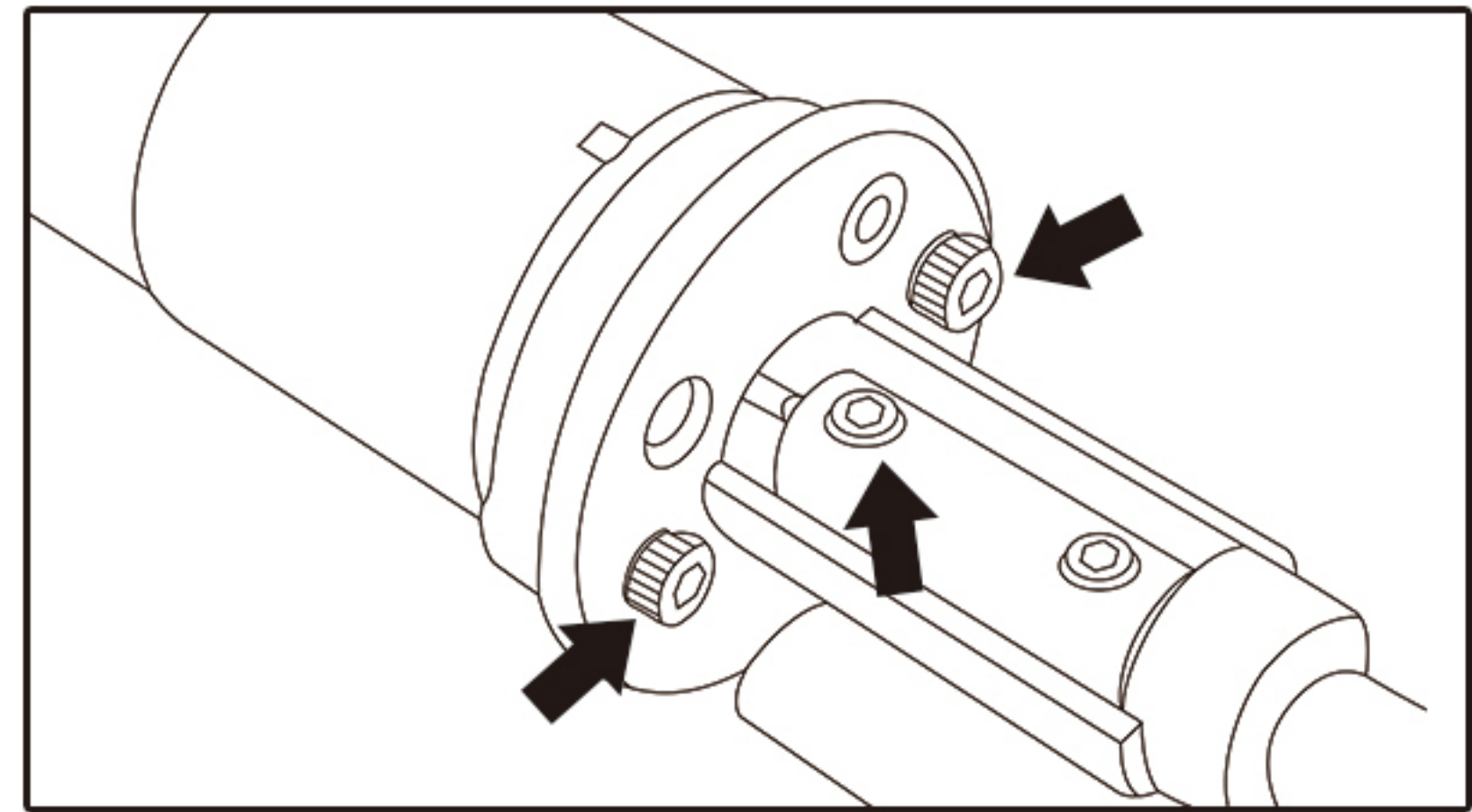
First take off the connection port on the motor cable.

先拔出电机线上的连接口



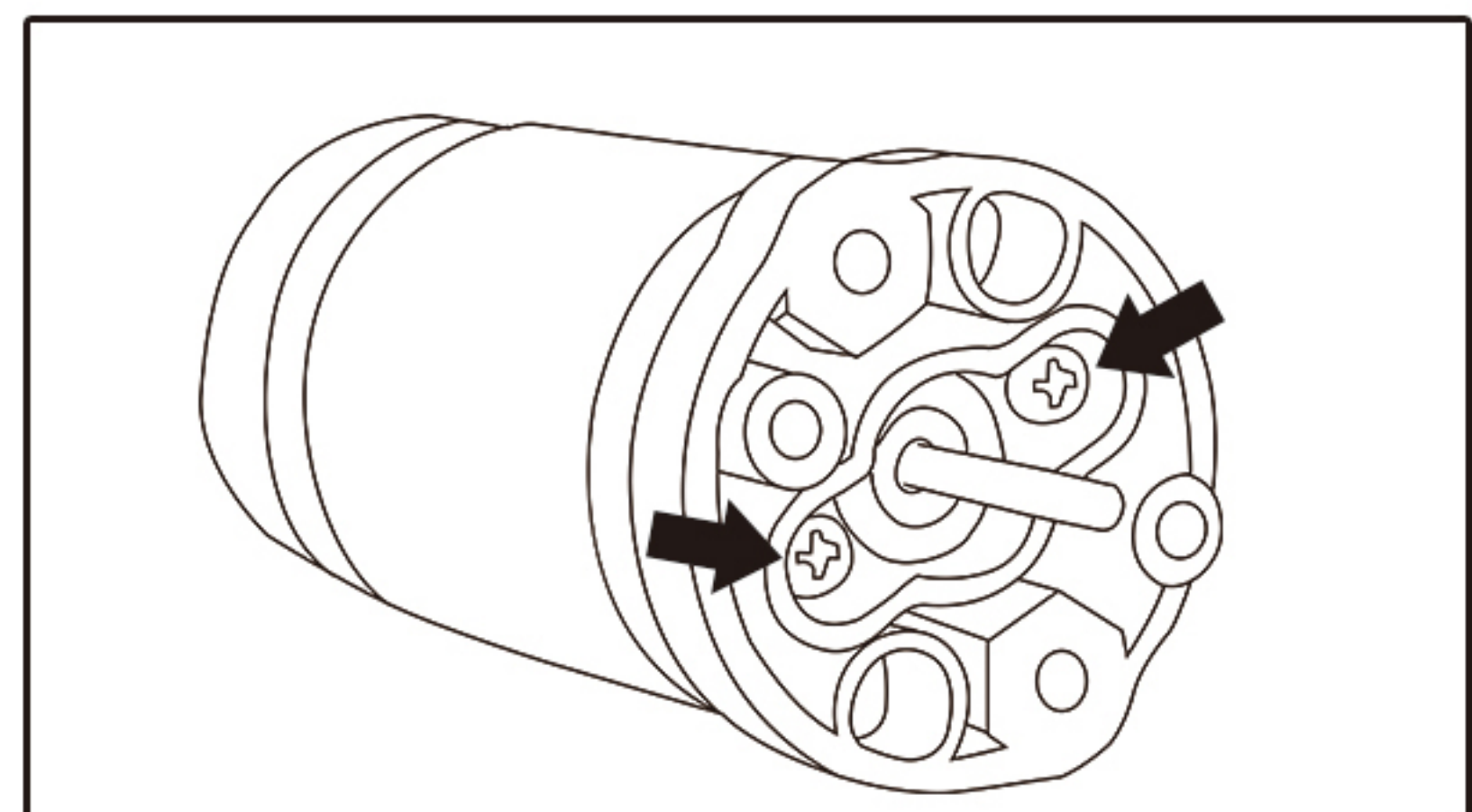
Use a hexagonal screwdriver to loosen the machine screw on the end of the coupling near the motor, then unscrew the 2 hexagon socket screws on the water spray device assembly, and take out the motor and the motor fixing assembly part.

用六角螺丝刀拧松联轴器上靠近电机一端的机米螺丝，然后拧下喷水装置组件上的2颗内六角螺丝，取出电机与电机固定组件



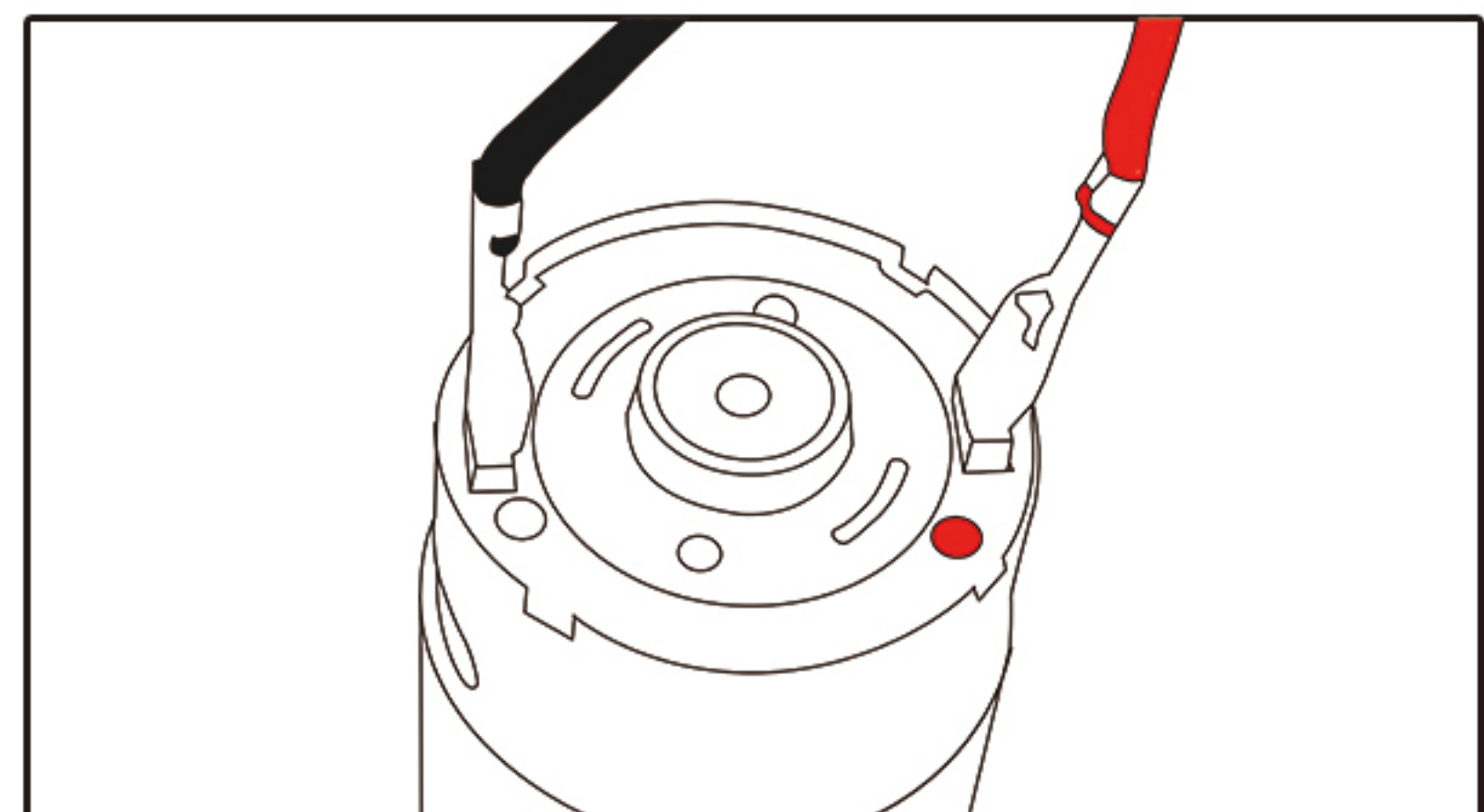
Use a Phillips screwdriver to unscrew the 2 screws on the motor fixing assembly, separate the motor from the motor fixing assembly, and the old motor has been removed.

用十字螺丝刀拧下电机固定组件上的2颗螺丝，把电机和电机固定组件分开，旧电机拆卸完成

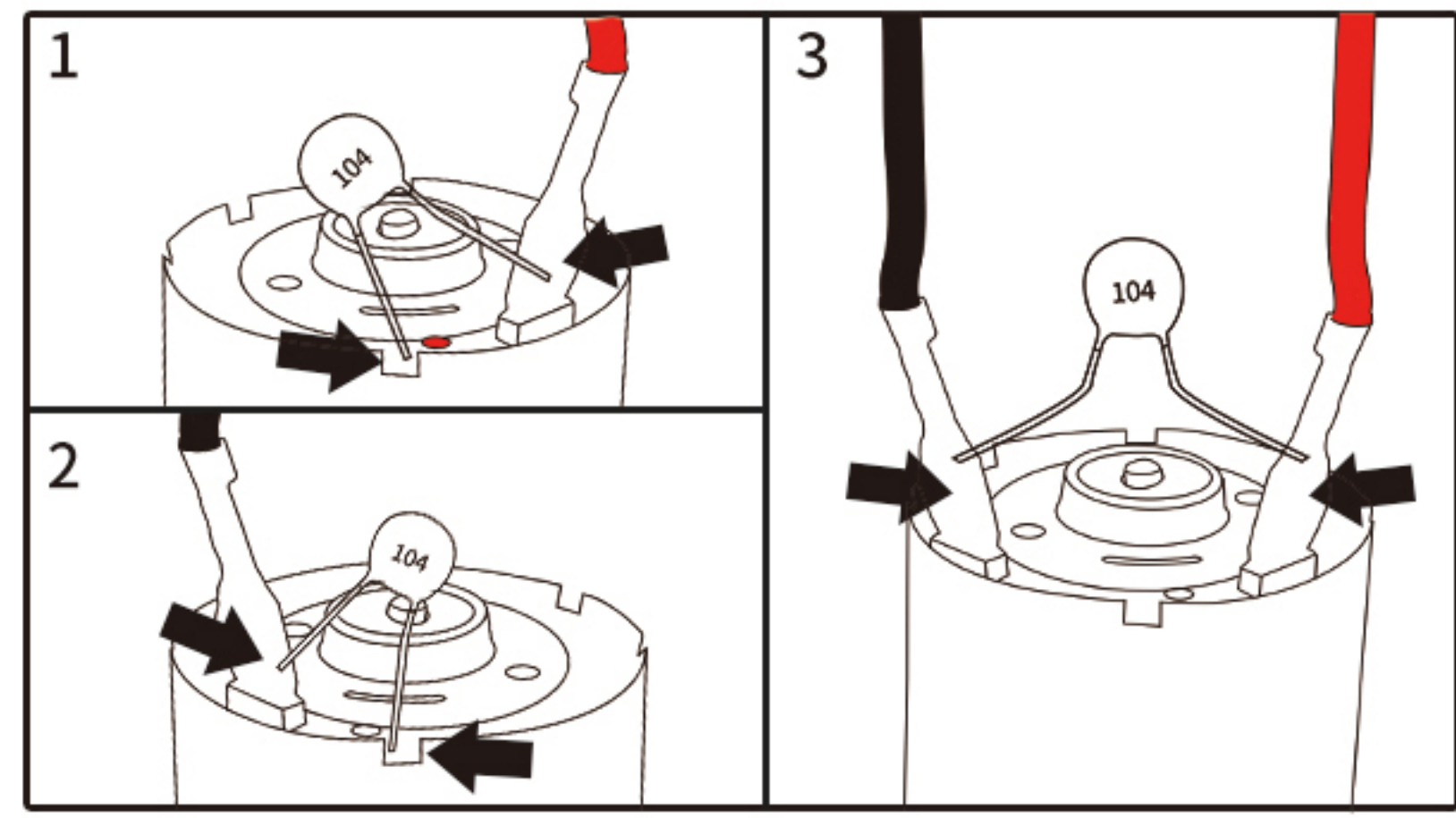


Take out the new motor, plug the red power cord into the end with the red dot on the motor, plug the black power cord into the other end, and fix it with tin.

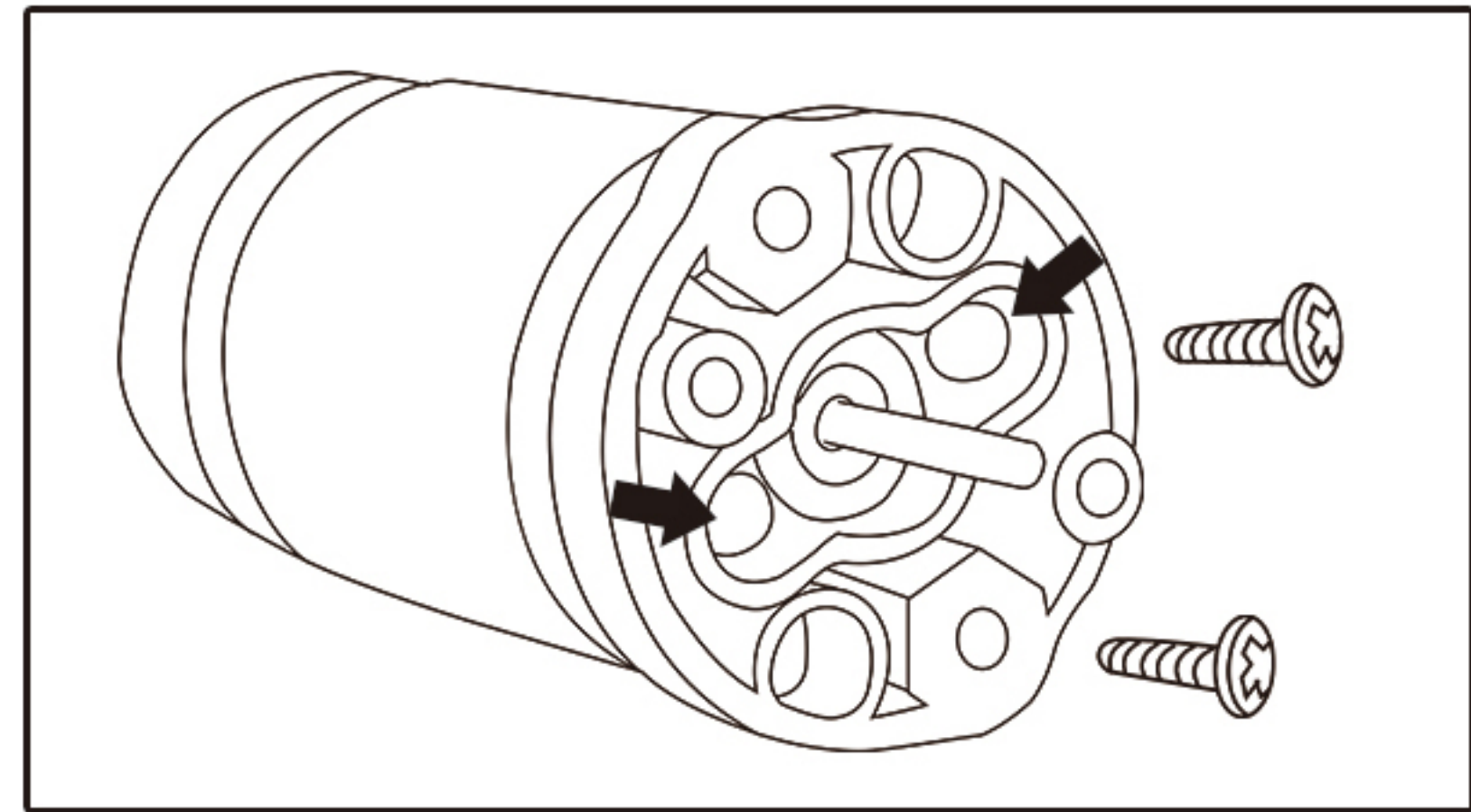
取出新电机，将红色电源线插到电机上有红色点的一端，另一端插上黑色电源线，并点锡固定



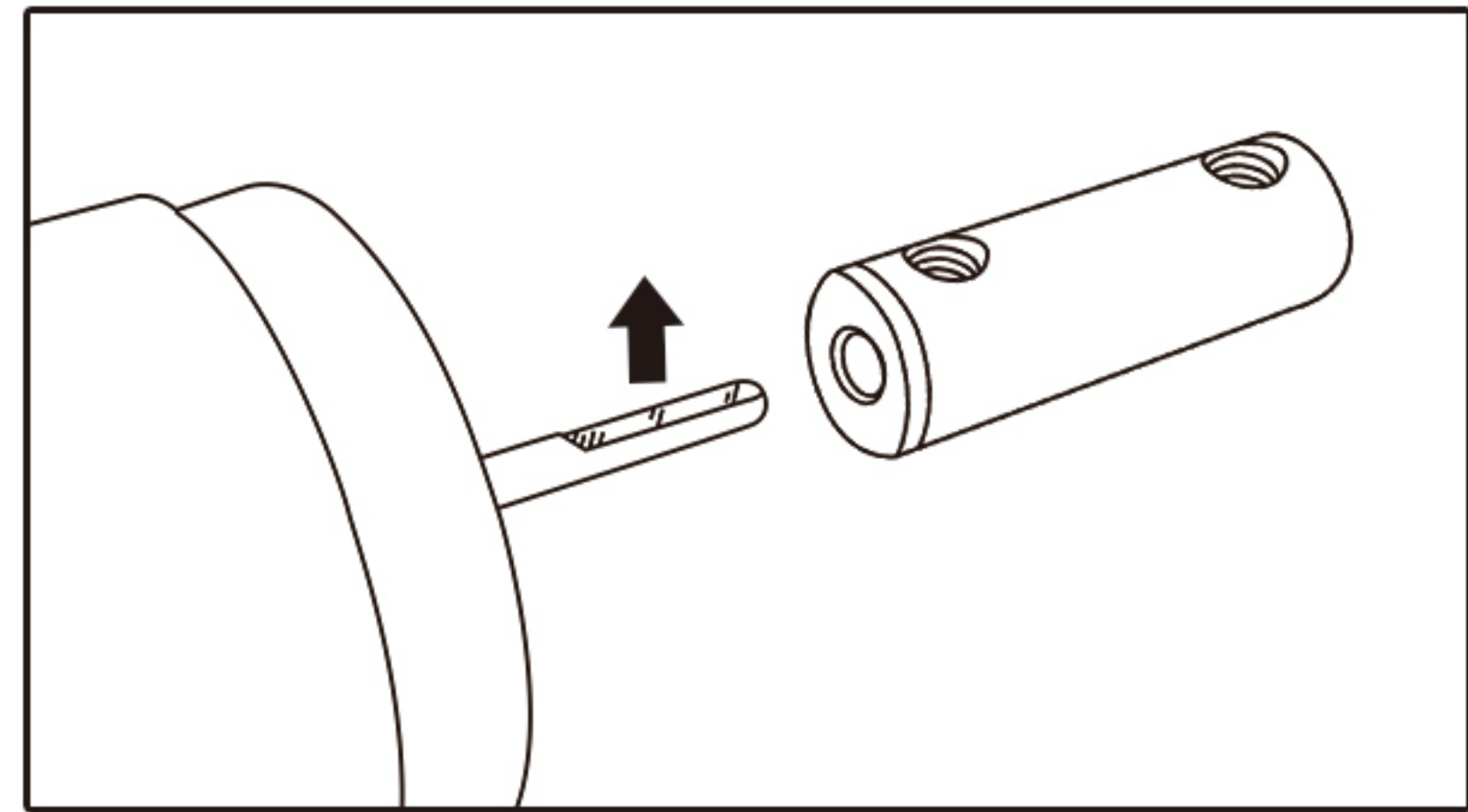
Fix the 3 pieces of 104 ceramic capacitors to the new motor with tin according to the position of the ceramic capacitors in the picture.  
按照图上104瓷片电容的位置，把3个104瓷片电容用锡固定到新电机上



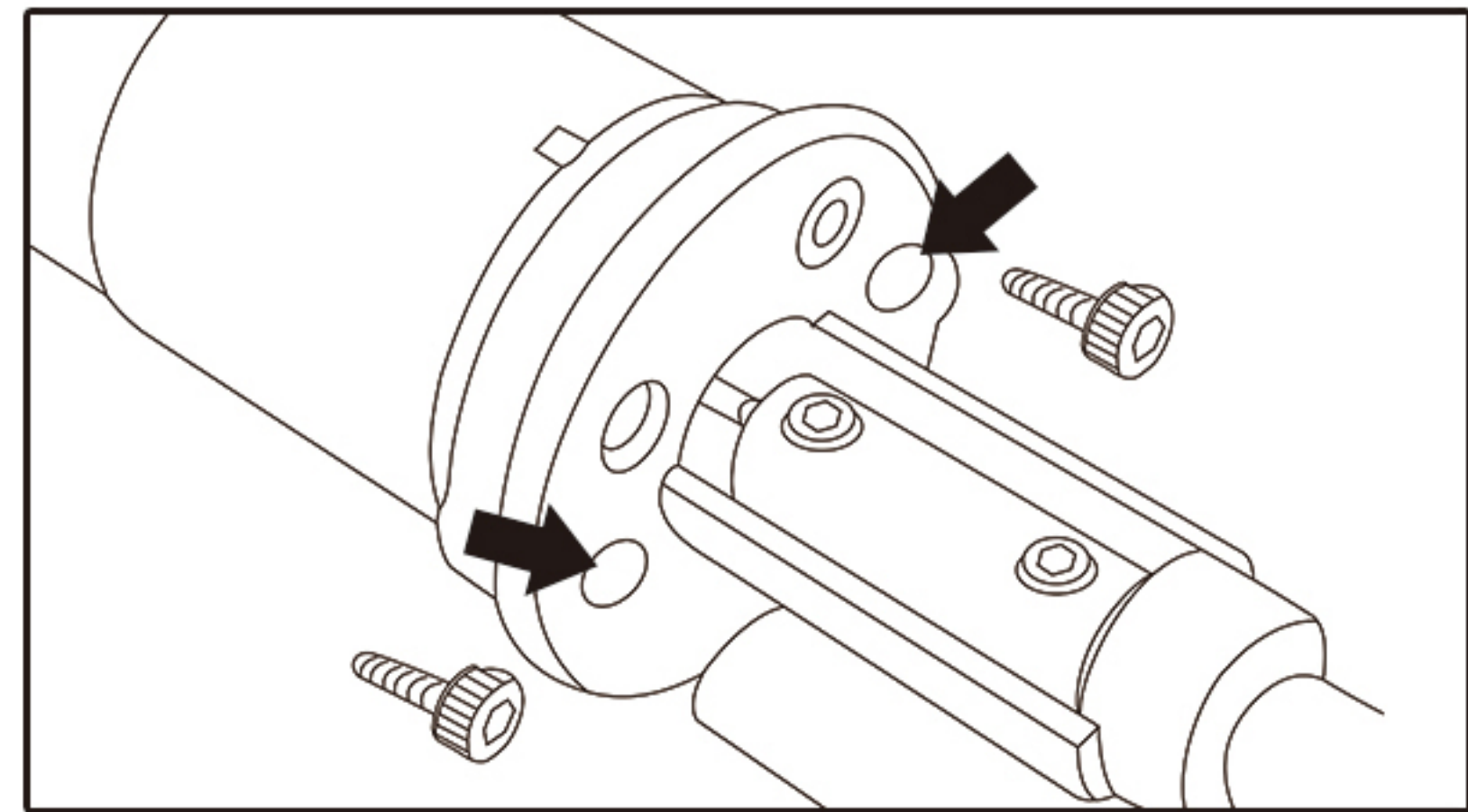
Use a Phillips screwdriver to tighten the 2 screws on the motor fixing assembly.  
用十字螺丝刀拧上电机固定组件上的2颗螺丝



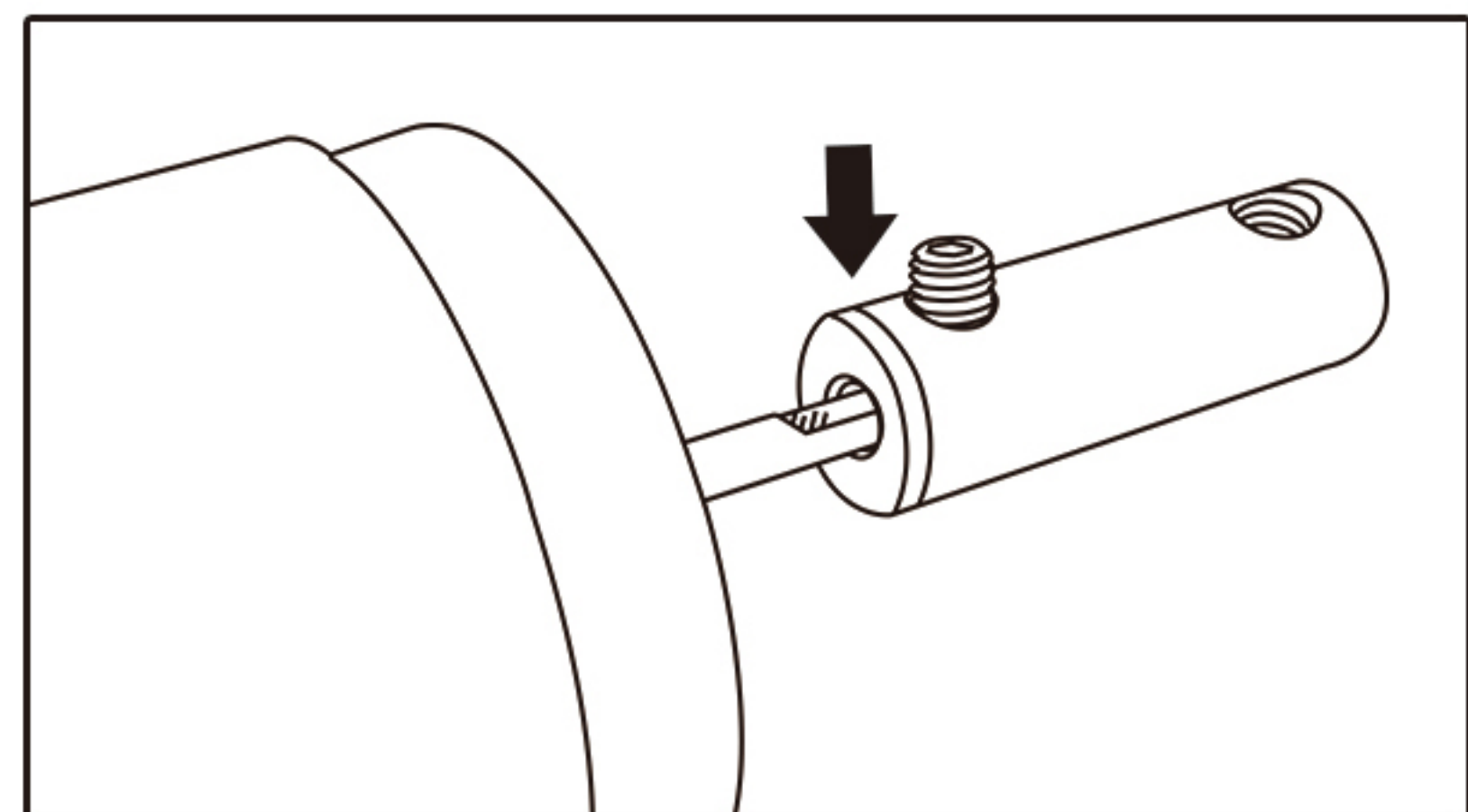
Rotate the motor shaft plane to the upward position first, align the hole on the coupling and insert.  
将电机轴平口旋转向上位置，对准联轴器上的孔插入



Screw on the 2 hexagon socket screws on the sprinkler assembly.  
拧上喷水装置组件上的2颗内六角螺丝



Rotate the coupling position so that the machine screw and the motor shaft plane are in a vertical position, tighten it with a hexagonal screwdriver, and the motor is replaced.  
旋转联轴器位置，使得机米螺丝与电机轴平面处于垂直位置，用六角螺丝刀拧紧，电机更换完成

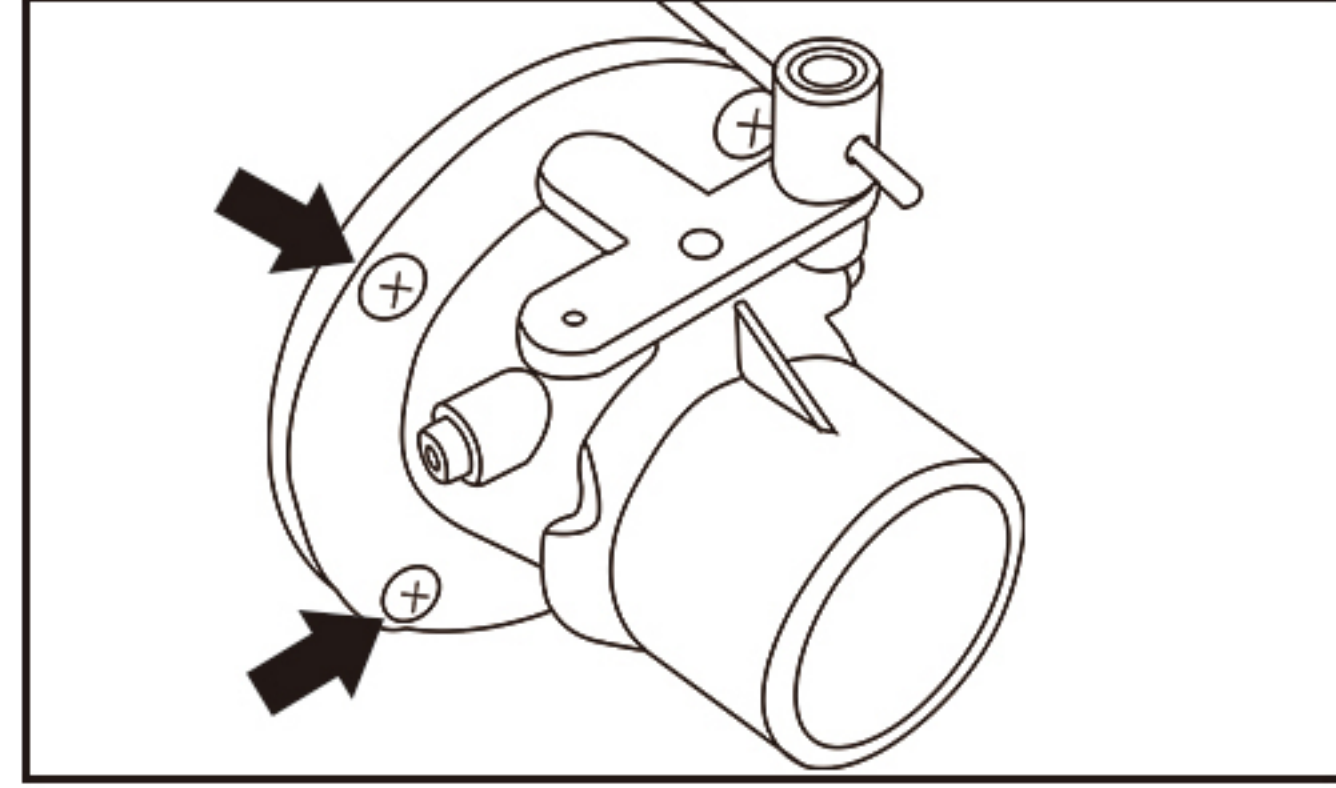


## Accessories package screw description 配件包螺丝说明

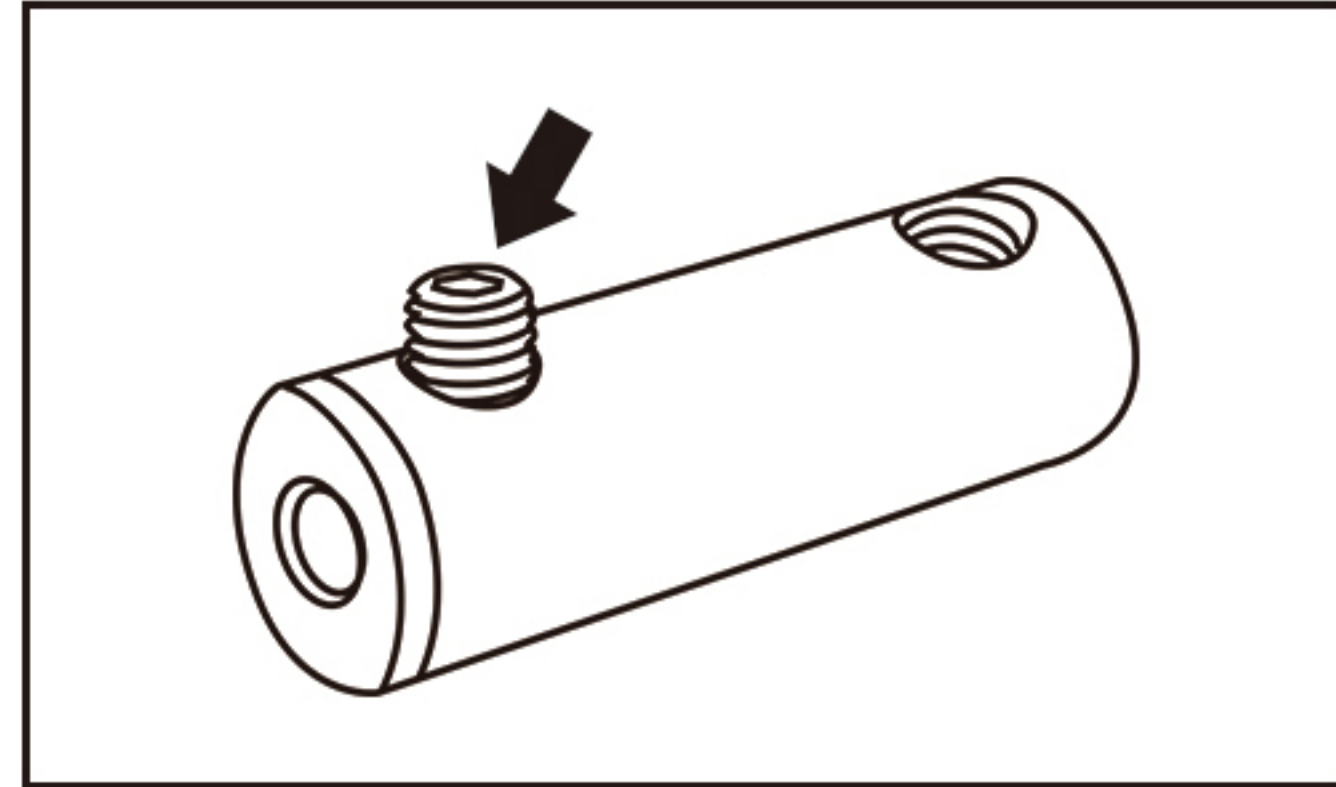
The accessory kit includes 2\*No. 1 screws, 1\*machine screw, 1\*hexagon socket screws, 2\*motor fixing screws

配件包包含1号螺丝2颗，机米螺丝1颗，电机固定架内六角螺丝1颗，电机固定螺丝2颗

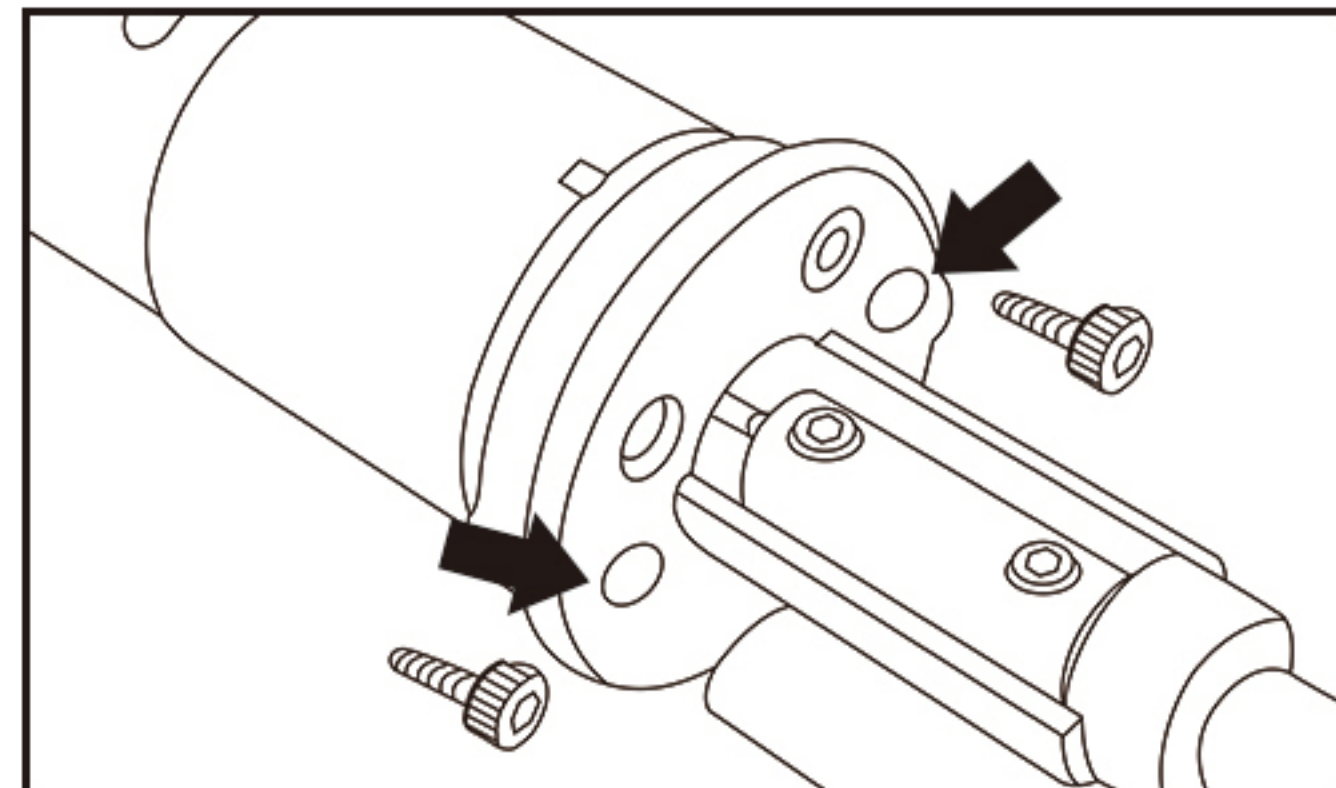
No. 1 screws are used at the stern spout  
1号螺丝用于船尾喷水口处



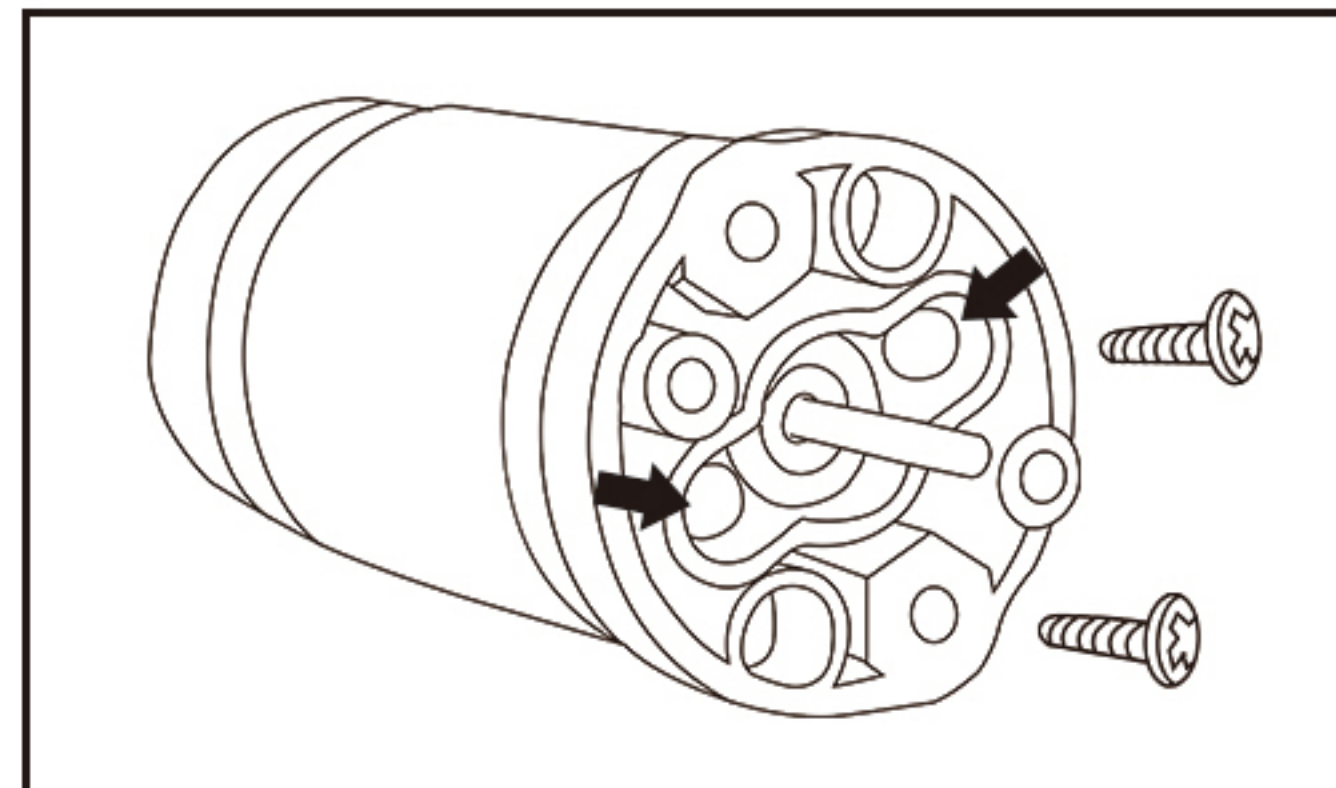
Machine screws are used on the coupling  
机米螺丝用于连轴器上



Hexagon socket screws are used for the spray glue parts  
电机固定架内六角螺丝用于喷水胶件处



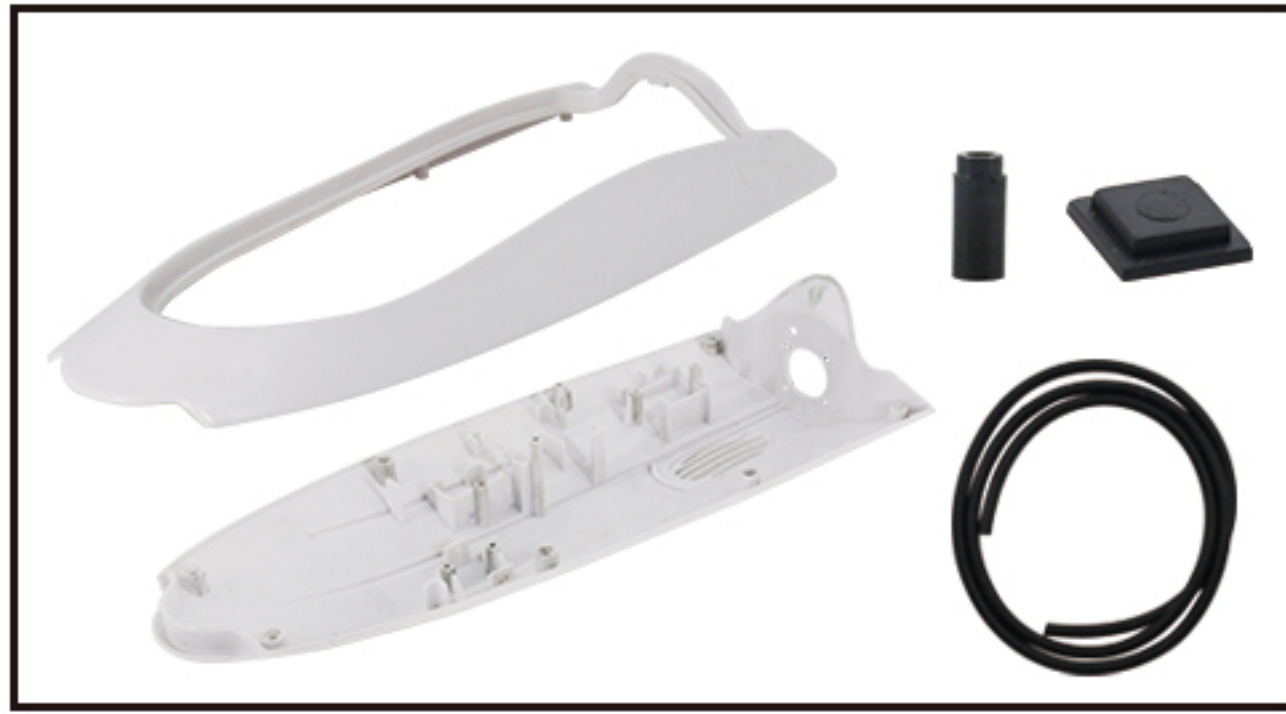
Motor fixing screws are used for the motor and fixed seat  
电机固定螺丝用于电机与电机固定座胶件处



---

To know more products, welcome to visit our company website:  
了解更多产品详情，请查看我们的官网: <http://www.iRctoy.com>

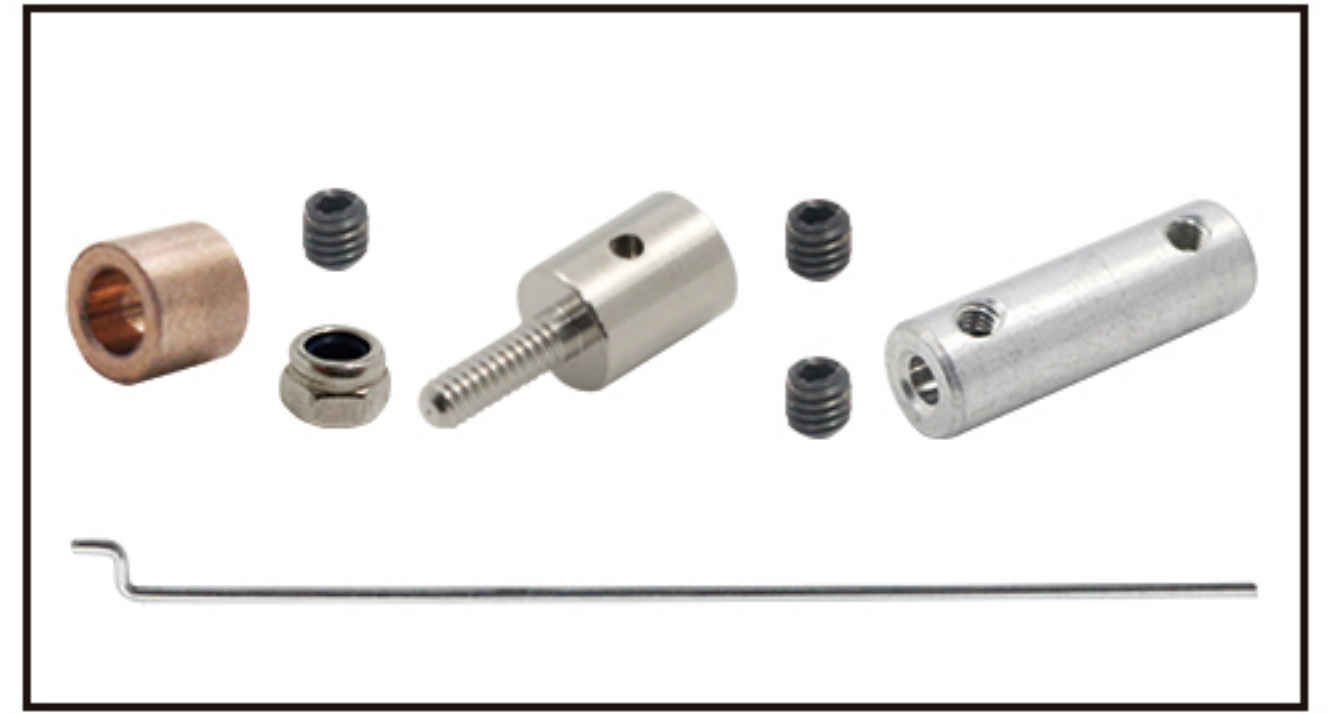
# Jet boat accessory list 涡喷船配件表



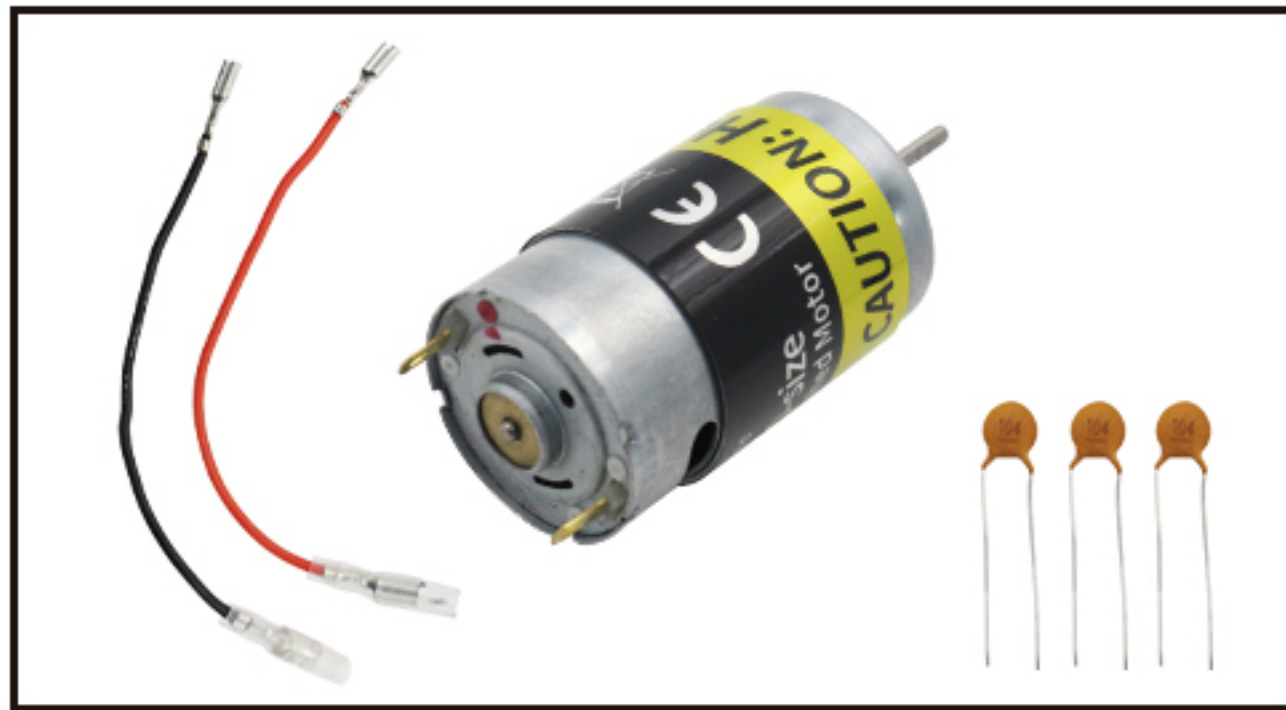
V008-01 船体组件  
Boat Hull components



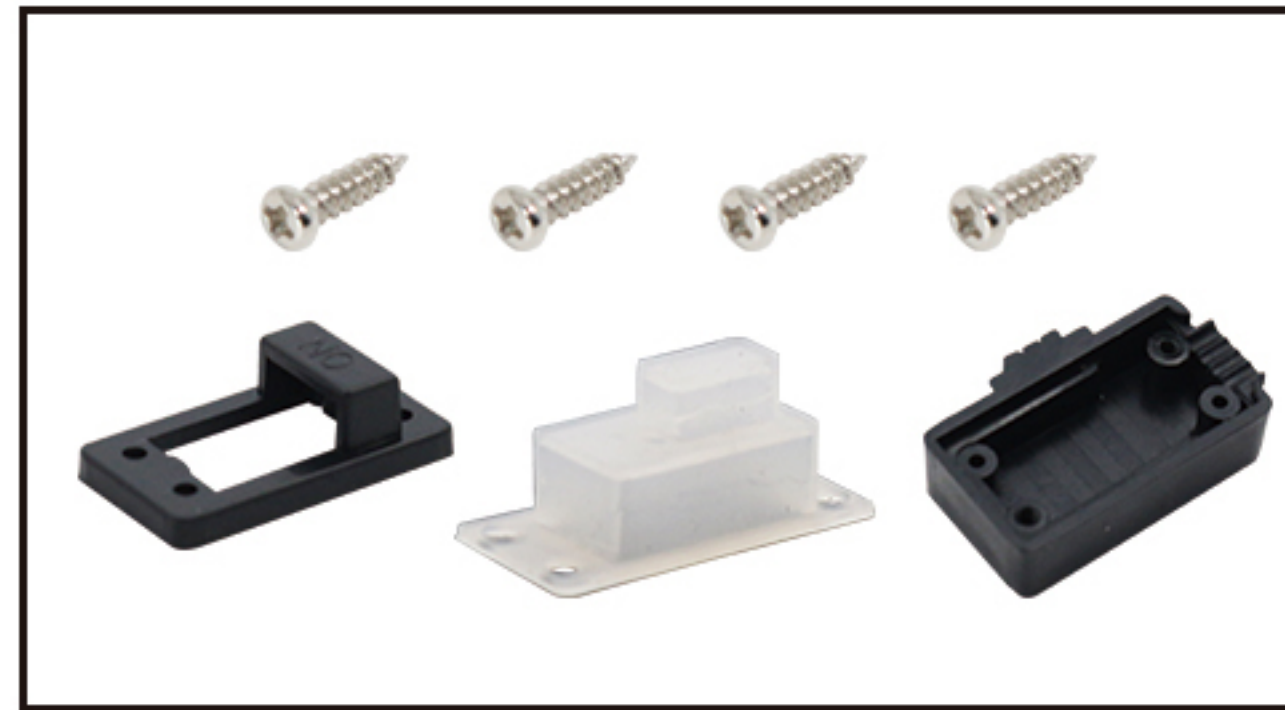
V008-02 船盖组件  
Boat cover components



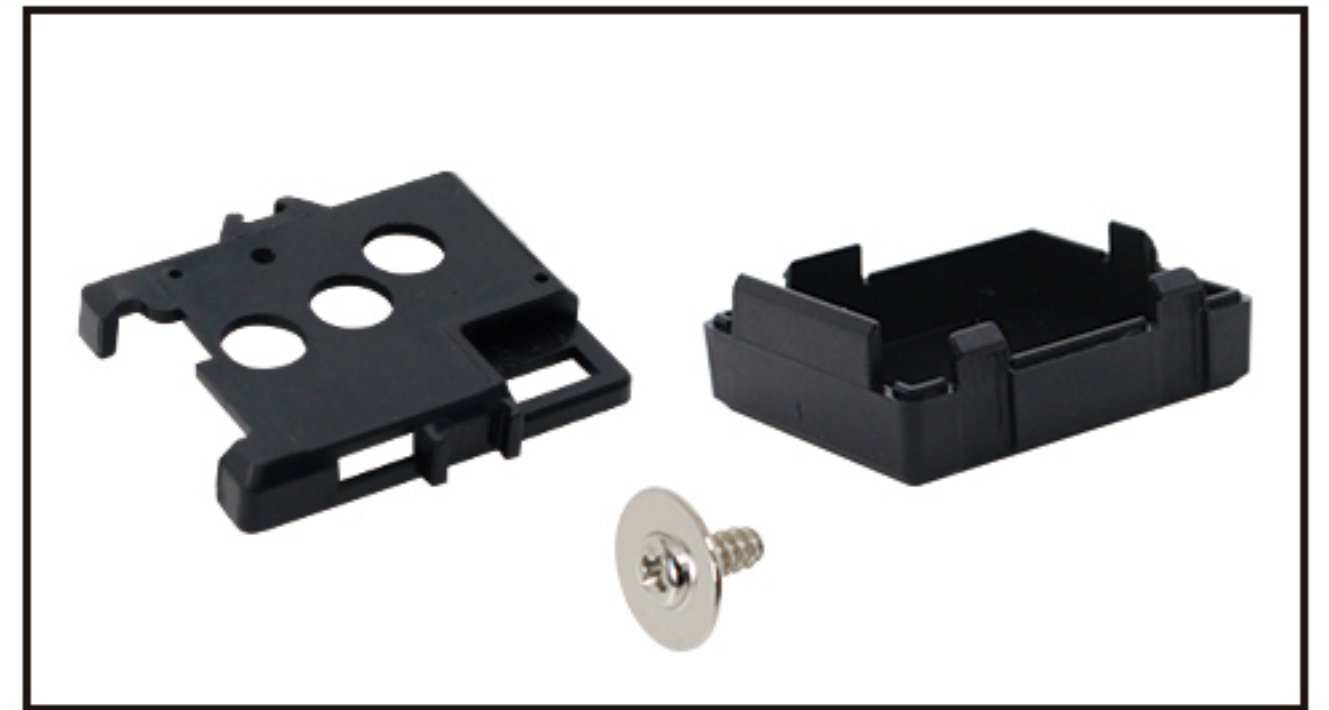
V008-03 五金组件  
Hardware components



V008-04 电机组件  
Motor Set



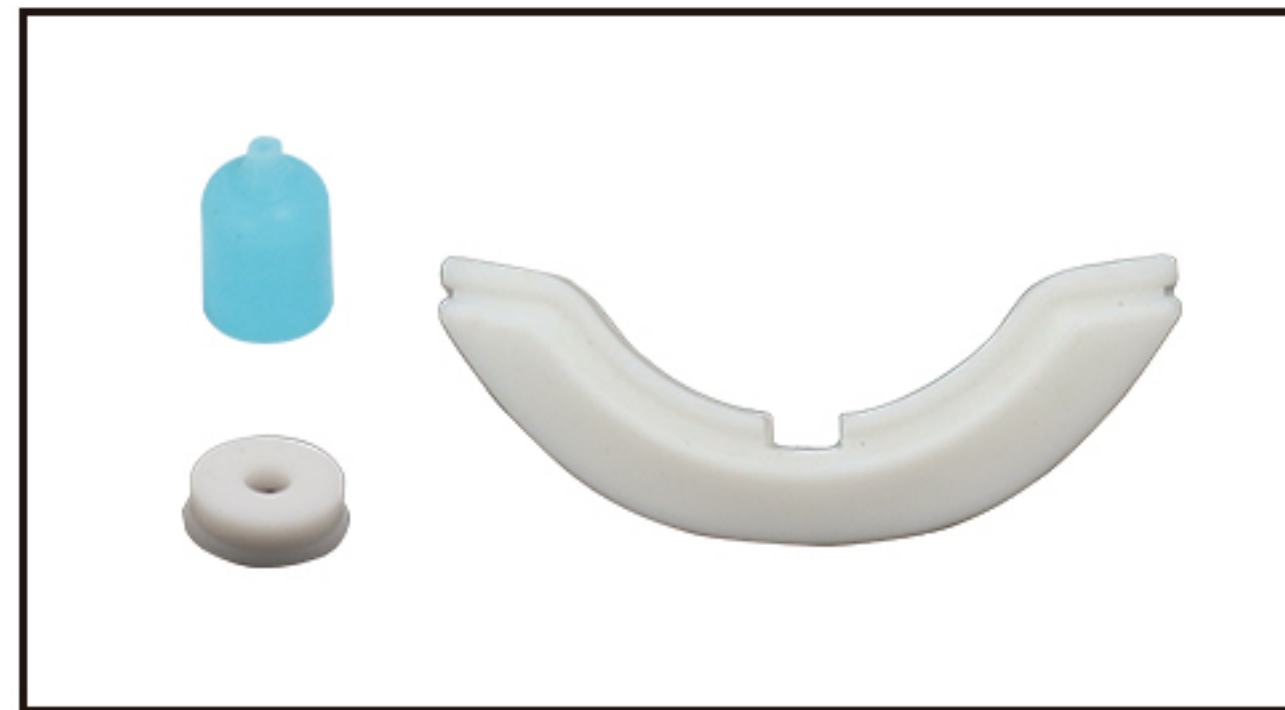
V008-05 开关盒组件  
Switch box set



V008-06 电路板盒组件  
Circuit board box assembly



V008-07 螺旋桨组件  
Propeller Set



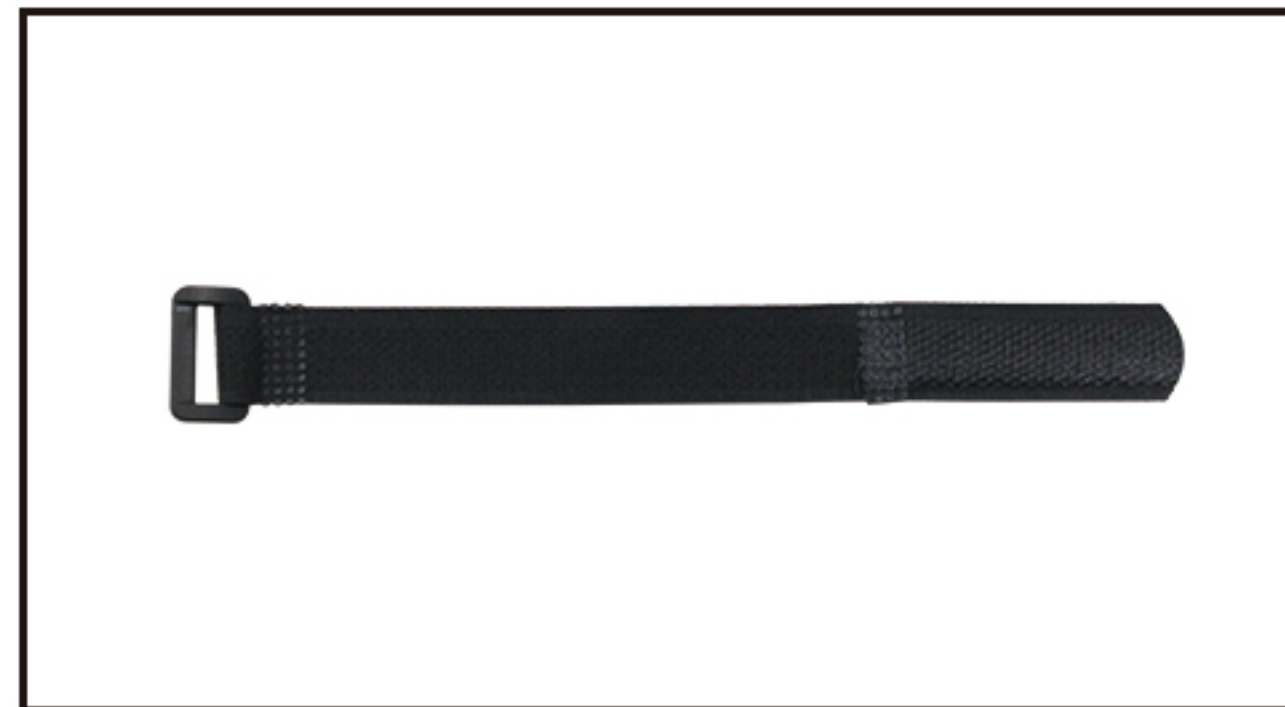
V008-08 硅胶组件  
Silicone components



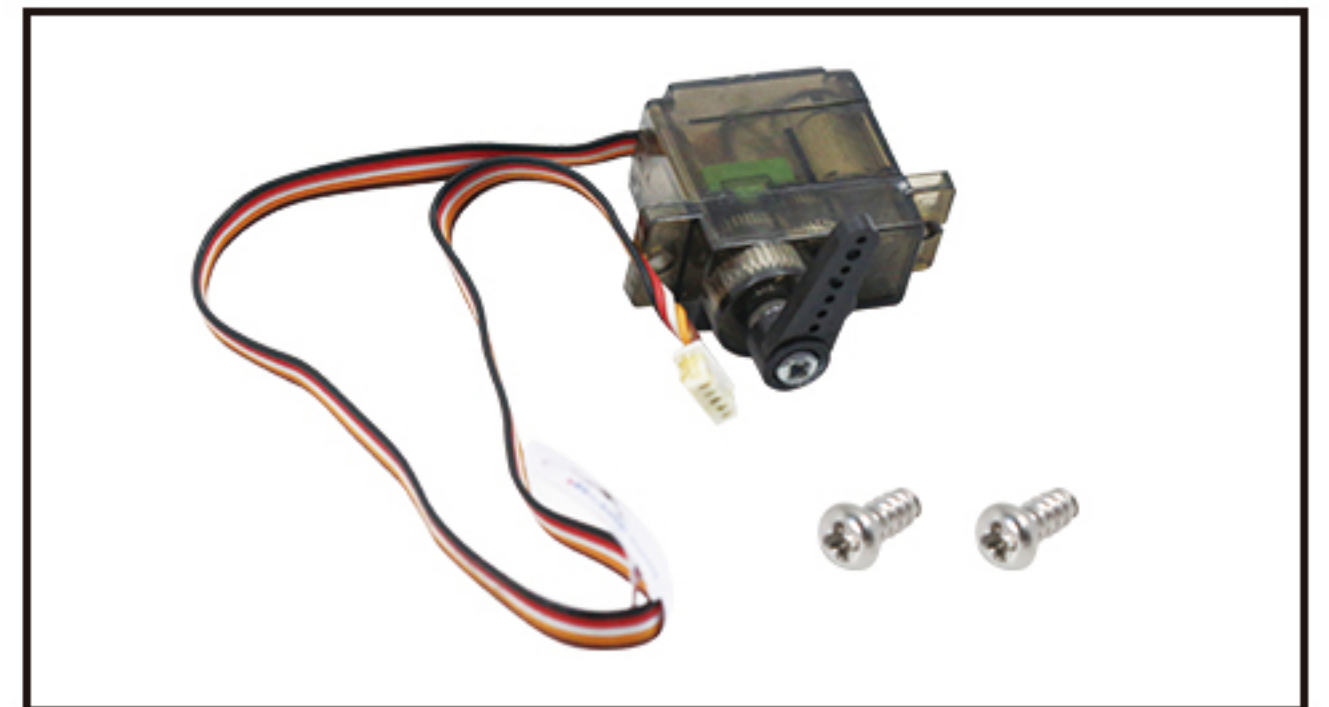
V008-09 电池  
Battery



V008-10 充电线  
USB cable



V008-11 魔术贴  
Velcro



V008-12 舵机组件  
Servo set



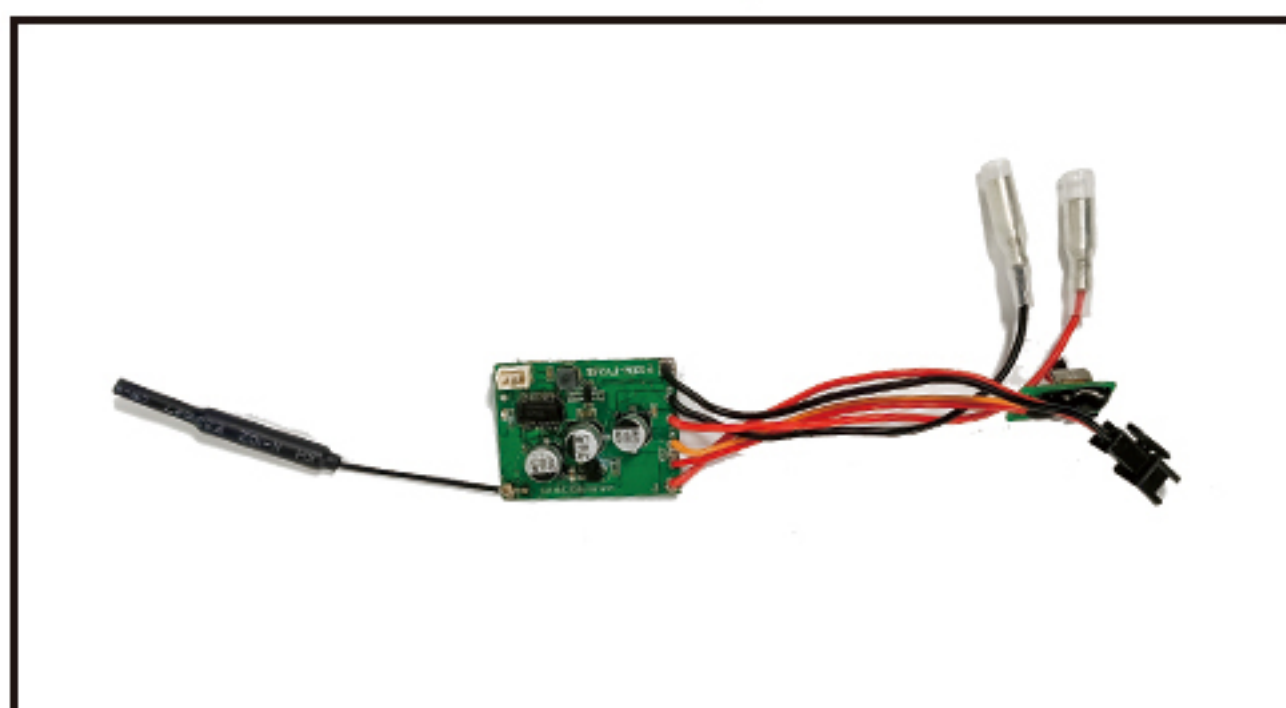
V008-13 内部组件  
Internal components



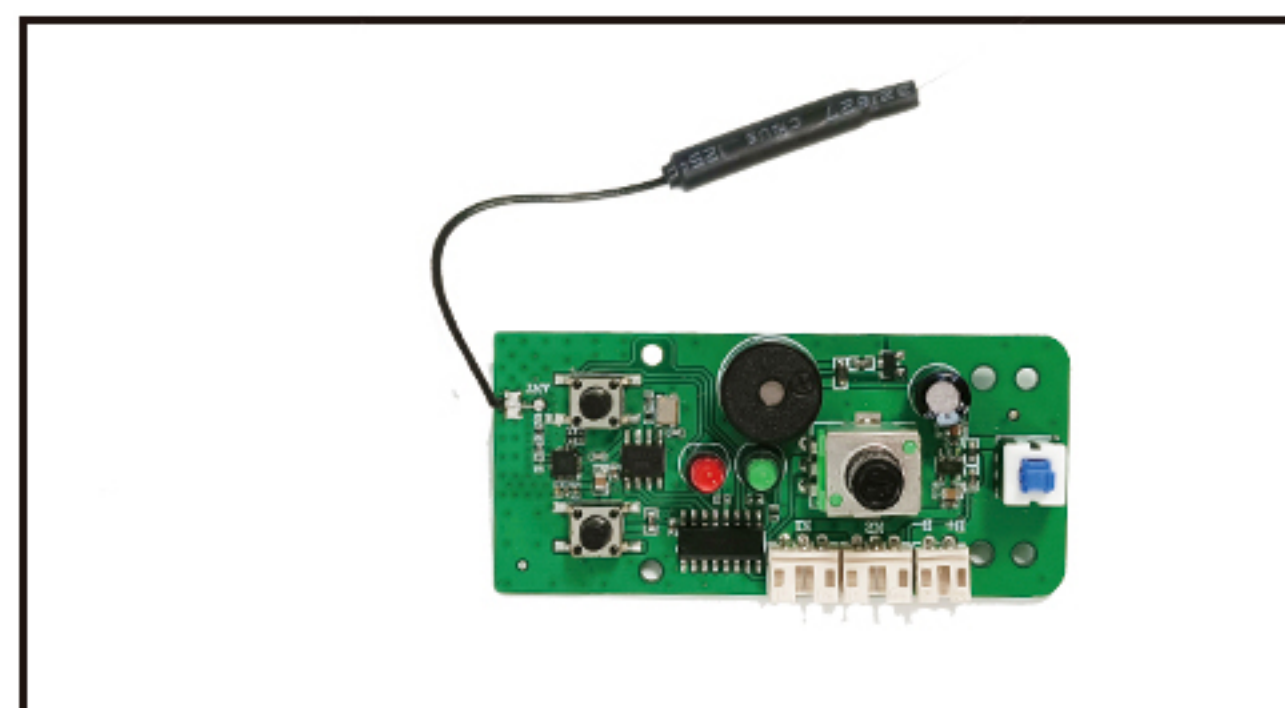
V008-14 遥控器  
Remote control



V008-15 贴纸  
Sticker



V008-16 船体接收板  
Boat circuit board



V008-17 遥控器发射板  
Remote Control circuit board

# ***Flytec | iRctoy.com***